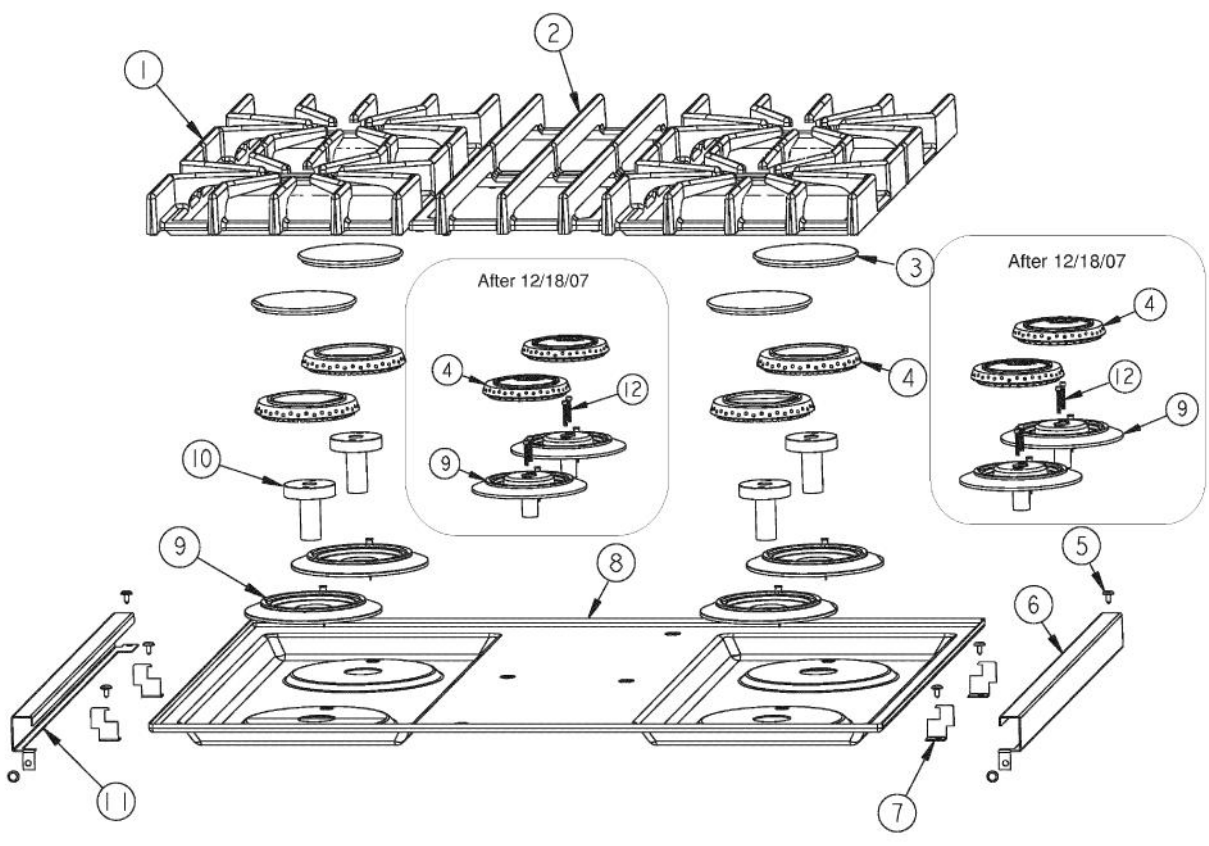
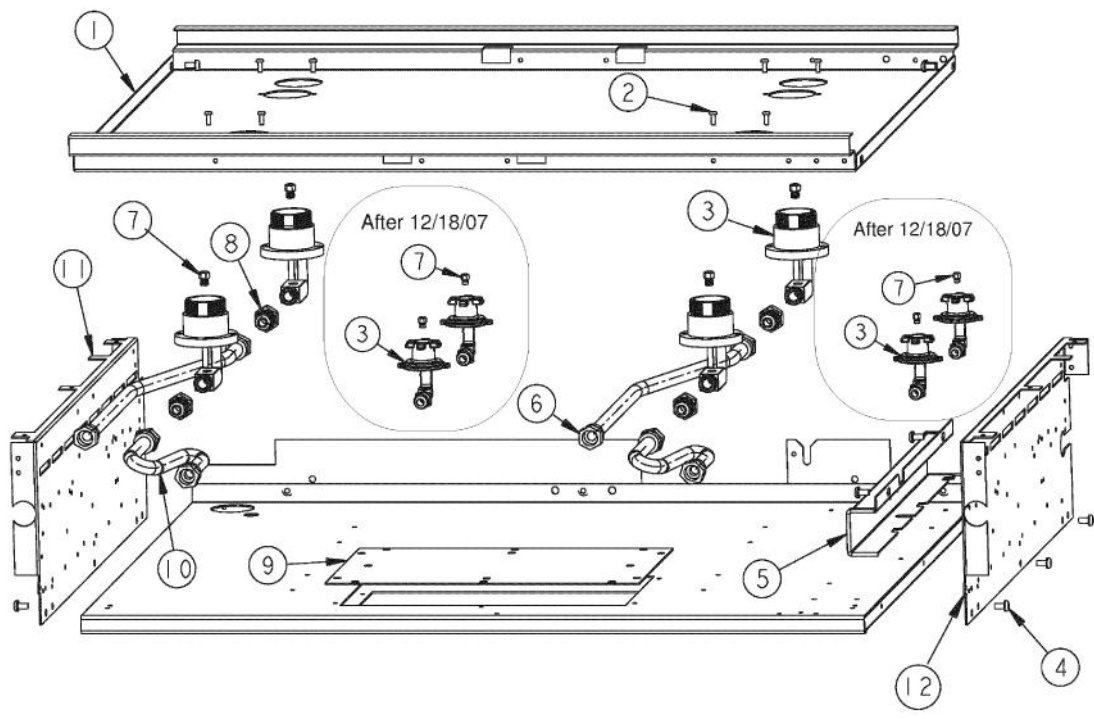


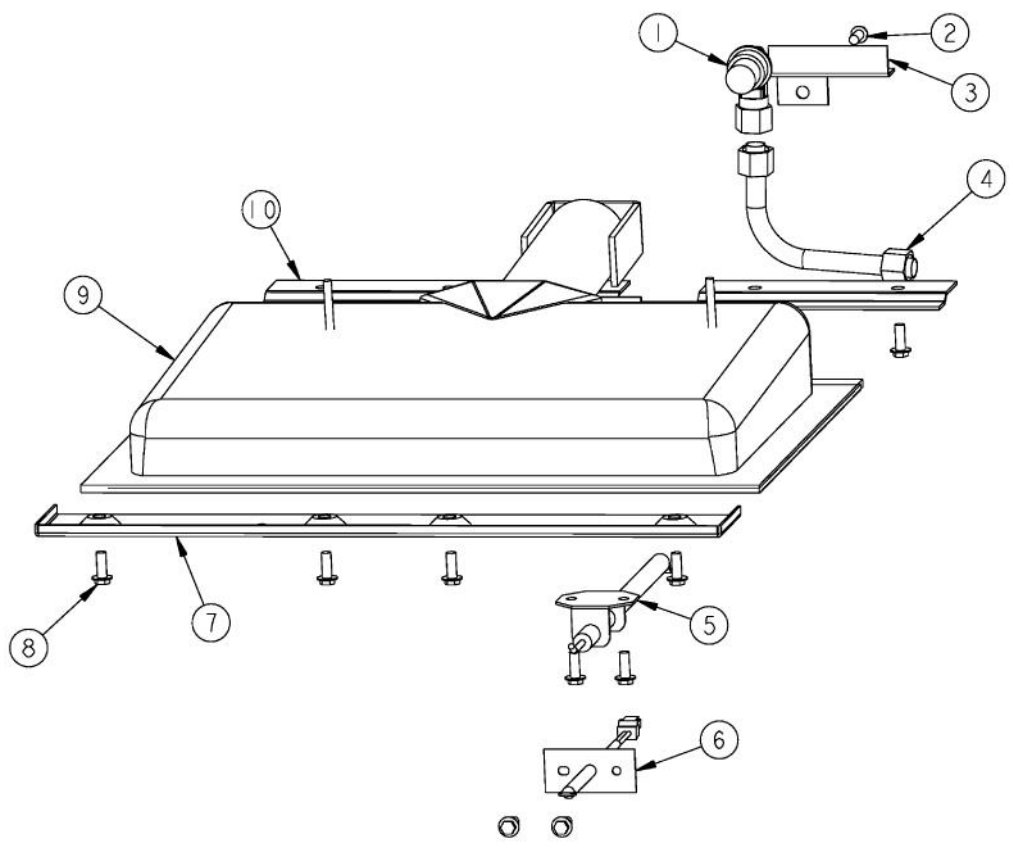
| Ref # | Part Number  | Qty. | Description                                   |
|-------|--------------|------|---|
| 1     | PD010003     |      | 10-24 X 1/2 PH.TR.HD.SERD.M.S.                |
| 2     | G3006766     |      | SEALED LANDING LEDGE ASSY                     |
| 3     | PD030005     |      | SELF RETAINING NUT                            |
| 4     | A1001138     |      | MANIFOLD BRKT                                 |
| 5     | A20011467    |      | FALSE DRIP TRAY HANDLE BRKT. RH               |
| 6     | PA050113     |      | MANIFOLD                                      |
| 7     | PB030007     |      | SHUT OFF VALVE                                |
| 8     | PA010158     |      | SUB TO 003517-000 - SEALED BURNER FLARE VALVE |
| 9     | PA020058     |      | IRIS SINGLE SPARK MODULE                      |
| 10    | 000336-000   |      | ELECTRONIC THERMOSTAT - 2 POS.                |
| 11    | PD010012     |      | VALVE BOLT 1/4-20 UNC-2B 5/16 M.S.            |
| 12    | A20013896    |      | FALSE HANDLE SHIELD                           |
| 13    | PA070001     |      | PRESSURE REGULATOR (NAT.)                     |
| 13    | 000714-000   |      | LP REGULATOR                                  |
| 14    | PD020002     |      | 10 X 1/2 PH.TR.HD.SMS.                        |
| 15    | PA010012     |      | ROPER PLUG                                    |
| 16    | PD020004     |      | 10X3/8PH.HD.TYPE 25 REPL PD040125             |
| 17    | A20011466    |      | FALSE DRIP TRAY HANDLE BRKT. LH               |
| 18    | B30011468    |      | FALSE DRIP TRAY HANLDE (WELDED) - 30          |
| 18    | G93011458PVD |      | DRIP TRAY HANDLE ASSY 30 PVD                  |
| 19    | B9202840     |      | CTRL PAN VGSC305-4B REPL B9201791             |
| 20    | PE050024     |      | OVEN IND. LIGHT (LIGHT HOUSING)               |
| 21    | PD030006     |      | CAPPED WASHER PAL NUT                         |
| 22    | PD020033     |      | SRW-NO.10-24X1/2T(23)PH.WFR HD (NKL)          |
| 23    | PE010081     |      | CONVECTION-LABEL/PLATE (CHROME)               |
| 23    | PE010082     |      | CONVECTION-LABEL/PLATE (XBRX)                 |
| 24    | PB010208     |      | BEZEL, CHROME PLATE                           |
| 24    | PB010209     |      | BEZEL BRASS                                   |
| 25    | PB010206     |      | VGSC,VGRC,VGRT TOP BURNER KNOB(BK)            |
| 25    | PB010207     |      | VGSC,VGRC,VGRT TOP BURNER KNOB(WH)            |
| 26    | PD020044     |      | NO.8-32 X 1/4 PH. TR. HD. M.S.                |
| 27    | 000447-000   |      | THERMOSTAT KNOB SELF-CLEAN (BK)               |
| 27    | 000447-006   |      | OVEN KNOB WITH BROIL(WH)                      |
| 28    | PE050023     |      | OVEN IND. LIGHT (LENS & BEZEL)                |
| 29    | PE050016     |      | OVEN LIGHT SWITCH - XBKX (WES-GAR)            |
| 29    | PE050017     |      | OVEN LIGHT SWITCH - XWHX (WES-GAR)            |
| 30    | PD020046     |      | NO.8 X 1/2 SCREWS                             |



| Ref # | Part Number | Qty. | Description  |
|-------|-------------|------|--|
| 1     | PA060054    |      | SEALED GRATE XBKX  |
| 2     | PA060060    |      | SEALED COOKTOP CENTER GRATE XBKX   |
| 3     | PA080045    |      | BURNER CAP - BK?   |
| 4     | PB050063    |      | BURNER HEAD<br>(BEFORE 12/18/07)   |
| NI    | 001386-000  |      | BURNER HEAD<br>(AFTER 12/18/07)  |
| 5     | PD020032    |      | SRW-8(A)X3/8PH.WFR HD 7/16DIAXNICL                                       |
| 6     | B20012923   |      | SEALED SIDE TRIM RH-VGSC   |
| 6     | C93012923BR |      | SEALED SIDE TRIM RH XBRX - VGSC  |
| 7     | A2007858    |      | SIDE TRIM BRKT   |
| 8     | E9107413BK  |      | MAIN TOP 30 XBKX   |
| 8     | E9107413WH  |      | MAIN TOP 30 XWHX   |
| 9     | PB050081    |      | BURNER BASE ASSEMBLY<br>(INCLUDES IGNITER) - BEFORE 12/18/07             |
| NI    | 003322-040  |      | SEALED BURNER BASE, TURNED FINISH<br>(INCLUDES IGNITER) - AFTER 12/18/07 |
| 10    | PA010100    |      | VENTURI D (VDSC3074B)<br>(BEFORE 12/18/07)                               |
| 11    | B20012924   |      | SEALED SIDE TRIM LH-VGSC   |
| 11    | C93012924BR |      | SEALED SIDE TRIM LH XBRX - VGSC  |
| 12    | 003606-000  |      | NO.6-32 SOCKET HEAD SCREW  |

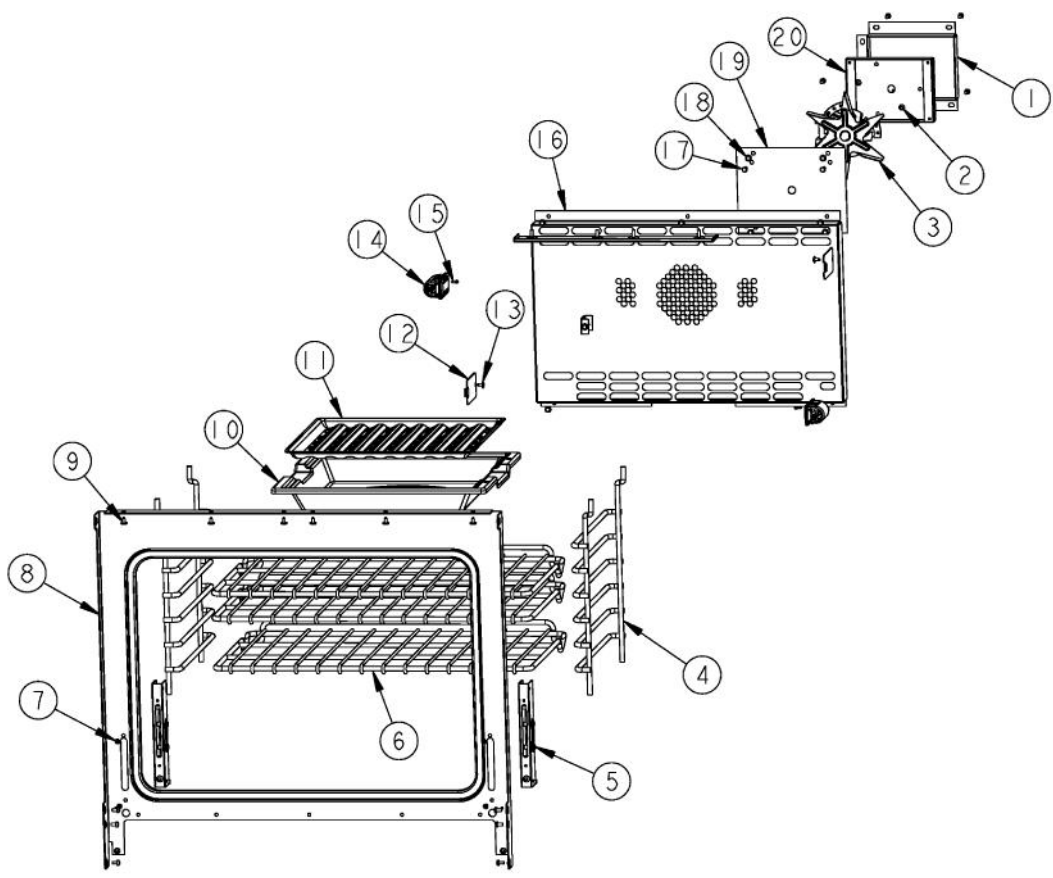


| Ref # | Part Number | Qty. | Description                                      |
|-------|-------------|------|--|
| 1     | A2007852    |      | BURNER SUPPORTS                                  |
| 2     | PD020076    |      | 6-32 X 3/8 PHILL PAN MS                          |
| 3     | PA080075    |      | BODY BURNER D (VDSC3074BSS)<br>(BEFORE 12/18/07) |
| NI    | 001394-042  |      | 15000 BTU NAT JETHOLDER<br>(AFTER 12/18/07)      |
| NI    | 001394-043  |      | 13500 BTU LP JETHOLDER<br>(AFTER 12/18/07)       |
| 4     | PD020004    |      | 10X3/8PH.HD.TYPE 25 REPL PD040125                |
| 5     | A2000210    |      | WIRE CHANNEL                                     |
| 6     | PB020193    |      | 16 FLEX TUBING W/CONNECTORS                      |
| 7     | PB040194    |      | SEALED RANGE ORIFICE (NAT)<br>(BEFORE 12/18/07)  |
| NI    | 001396-040  |      | 15K NG ORIFICE<br>(AFTER 12/18/07)               |
| NI    | PB040217    |      | L.P. ORIFICE<br>(BEFORE 12/18/07)                |
| NI    | 001396-044  |      | 13.5K LP ORIFICE<br>(AFTER 12/18/07)             |
| 8     | PA050086    |      | 5/8 MALE FLARE FITTING                           |
| 9     | A1006344    |      | DOOR LOCK ACCESS PANEL 48                        |
| 10    | PB020192    |      | 10 FLEX TUBING W/CONNECTORS                      |
| 11    | A2006748    |      | BURNER BOX SIDE LH (VDSC3074B)                   |
| 12    | A2006747    |      | BURNER BOX SIDE RH (VDSC3074B)                   |

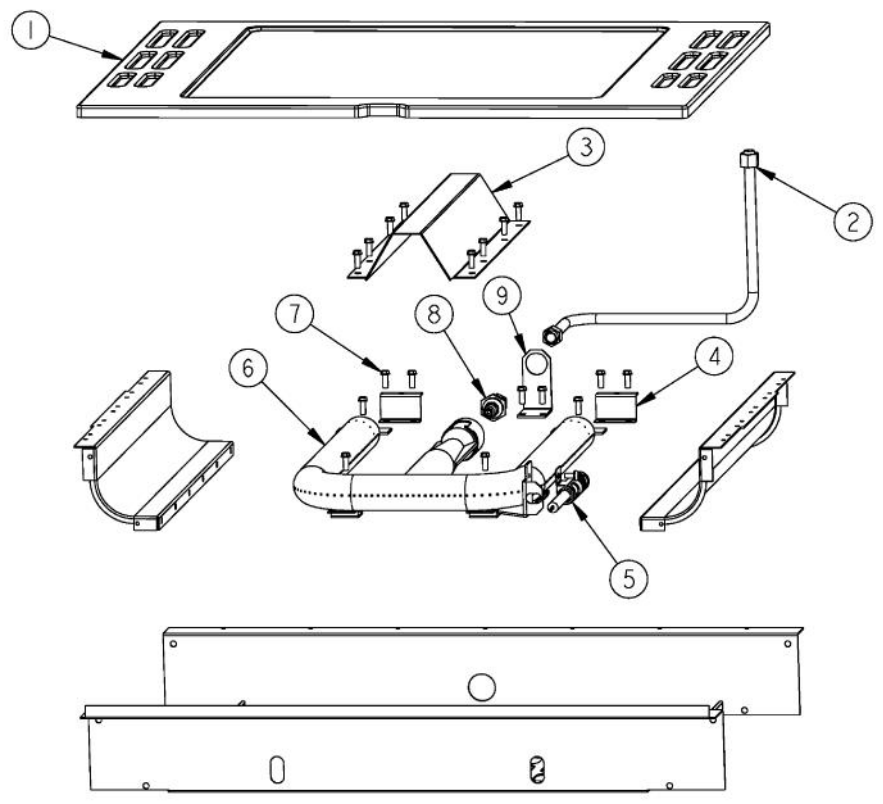


| Ref # | Part Number | Qty. | Description                         |
|-------|-------------|------|-------------------------------------|
| 1     | PB040178    |      | 90 DEGREE ORIFICE FITTING (VGSC306) |
| 1     | PB040027    |      | IR BUR.SPUD ORF. - NO.56 LP         |
| 2     | PD020060    |      | 10 X 1/2 (5/16)HEX WSHR HD.(T)A     |
| 3     | 001348-000  |      | BROIL INSULATION RETAINER           |
| 4     | 000921-000  |      | 3/8 ALUM TUBING ELBOW               |
| 5     | PB040171    |      | BROIL IGNITION ELECTRODE            |
| 6     | PE050206    |      | RTD THERMOSTAT PROBE                |
| 7     | B2002261    |      | FRONT I/R BROILER SUPPORT BRACKET   |
| 8     | PD020048    |      | NO.10 X 1/2 TEK 410 SS SCREW        |
| 9     | G3001876    |      | IR BURNER ASSY (VGSC/RC) N/S        |
| 10    | B2005589    |      | REAR BROILER BRACKET                |

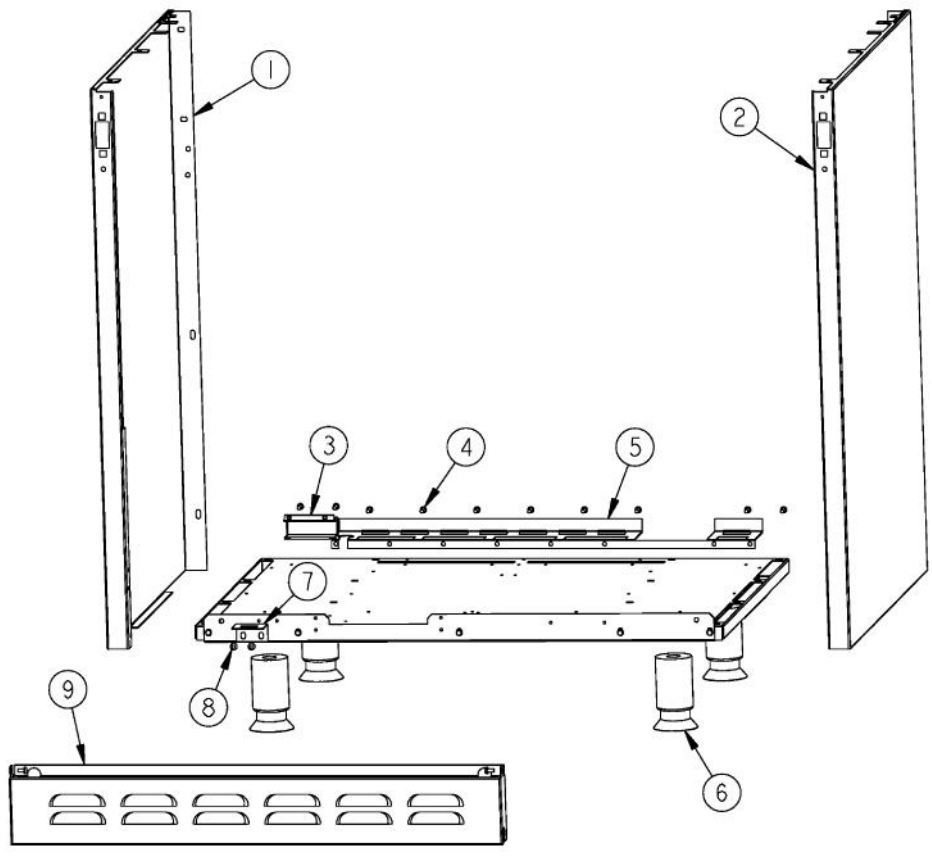




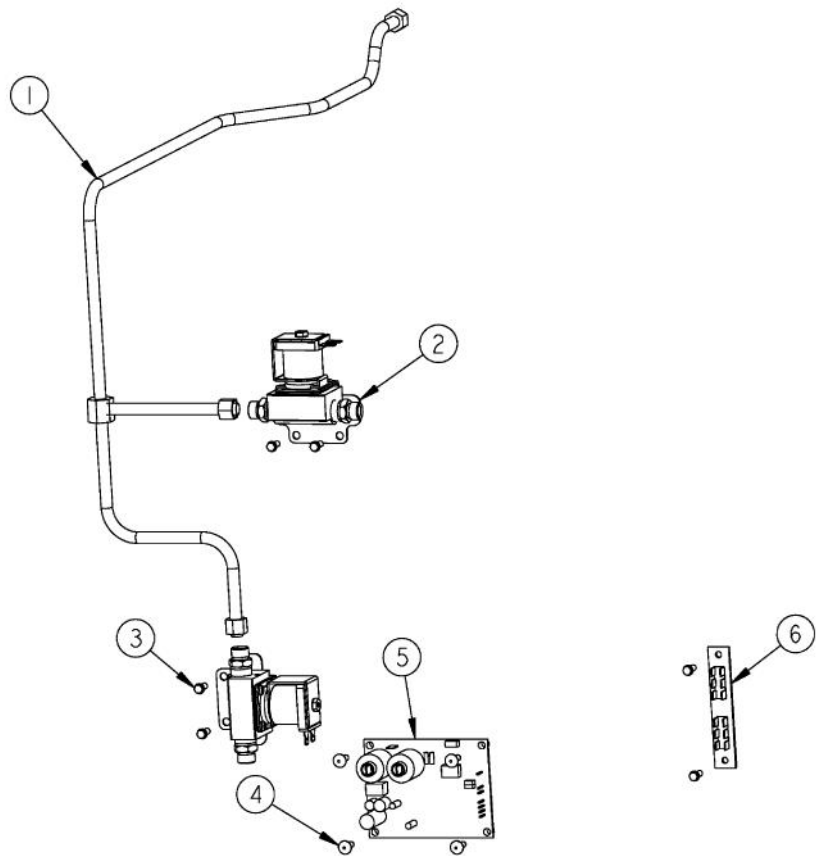
| Ref # | Part Number | Qty. | Description                          |
|-------|-------------|------|--------------------------------------|
| 1     | A2008467    |      | INSULATION SHIELD                    |
| 2     | PD020004    |      | 10X3/8PH.HD.TYPE 25 REPL PD040125    |
| 3     | PE050057    |      | CONVECTION FAN (VGSC306)             |
| 4     | PB060030    |      | RACK SUPT REPL PB060010              |
| 5     | PC020295    |      | HINGE RECEIVER ASSEMBLY              |
| 6     | PB060044    |      | OVEN RK VDSC30/48RH REPL PB060019    |
| 7     | PD020062    |      | NO.8-32 X 3/8 PHMS TYPE 1            |
| 8     | 001311-000  |      | FRONT FRAME 30 ASSY                  |
| 9     | PD020032    |      | SRW-8(A)X3/8PH.WFR HD 7/16DIAXNICL   |
| 10    | E9107933    |      | BROILER PAN                          |
| 11    | E9107934    |      | BROILER PAN INSERT                   |
| 12    | E91012614   |      | LIGHT HOLE COVER                     |
| 13    | PD020063    |      | SCREW-NO.8(A) X 3/8PH WFR HD/BK OXID |
| 14    | PE050238    |      | 120 VOLT SIDE HALOGEN LIGHT          |
| 15    | PD020013    |      | TYPE AB NO.6 X 3/8 PH PAN HD. SMS    |
| 16    | G9104482    |      | CONVECTION FAN COVER ASSY (VGSC306)  |
| 17    | PD020060    |      | 10 X 1/2 (5/16)HEX WSHR HD.(T)A      |
| 18    | PD020048    |      | NO.10 X 1/2 TEK 410 SS SCREW         |
| 19    | A1002596    |      | CONVECTION FAN COVER (VDSC)          |
| 20    | A2002595    |      | CONVECTION FAN BOX (VDSC)            |



| Ref # | Part Number | Qty. | Description                      |
|-------|-------------|------|----------------------------------|
| 1     | G9104438    |      | OVEN BOTTOM PAN ASSY (VGSC306)   |
| NI    | A2004439    | 1    | OVEN BOTTOM SHIELD (VGSC306)     |
| 2     | 000919-000  |      | 3/8 ALUM TUBING                  |
| 3     | A2004424    |      | BURNER COVER (VGSC306)           |
| 4     | B2004415    |      | BURNER BRACKET (VGSC306)         |
| 5     | PB040170    |      | BAKE IGNITION ELECTRODE          |
| 6     | PB050059    |      | BAKE BURNER - NATURAL GAS        |
| 6     | 000640-000  |      | BAKE BURNER - LP                 |
| 7     | PD020060    |      | 10 X 1/2 (5/16)HEX WSHER HD.(T)A |
| 8     | PB040172    |      | 3/8 X 3/8 ORIFICE FITTING        |
| 8     | 000806-000  |      | BULKHEAD ORIFICE NO.57           |
| 9     | A2004434    |      | ORIFICE BRACKET (VGSC306)        |

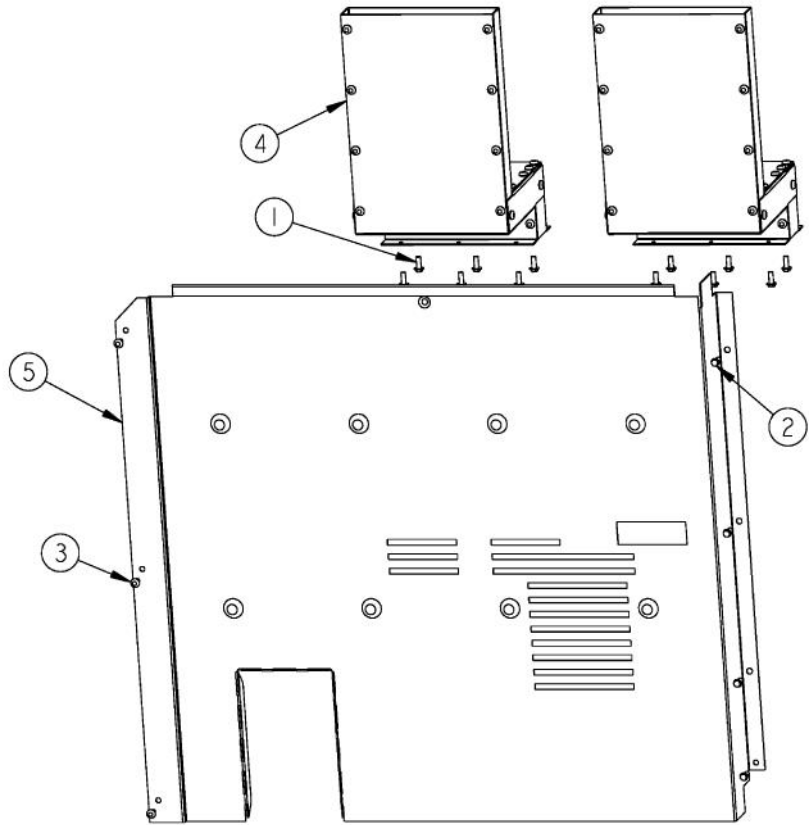


| Ref # | Part Number | Qty. | Description                       |
|-------|-------------|------|-----------------------------------|
| 1     | B20010180   |      | O/S BODY PANEL - LH               |
| 1     | C90010180AL |      | SIDE PANEL LH XALX                |
| 1     | C90010180BK |      | SIDE PANEL LH XBKX                |
| 1     | C90010180BT |      | SIDE PANEL LH XBTX                |
| 1     | C90010180BU |      | SIDE PANEL LH XBUX                |
| 1     | C90010180CB |      | SIDE PANEL LH XCBX                |
| 1     | C90010180EP |      | SIDE PANEL LH XEPX                |
| 1     | C90010180FG |      | SIDE PANEL LH XFGX                |
| 1     | C90010180GG |      | SIDE PANEL LH XGGX                |
| 1     | C90010180LE |      | SIDE PANEL LH XLEX                |
| 1     | C90010180MJ |      | SIDE PANEL LH XMJX                |
| 1     | C90010180SG |      | SIDE PANEL LH XSGX                |
| 1     | C90010180VB |      | SIDE PANEL LH XVBX                |
| 1     | C90010180WH |      | SIDE PANEL LH XWHX                |
| 2     | B20010179   |      | O/S BODY PANEL - RH               |
| 2     | C90010179AL |      | SIDE PANEL RH XALX                |
| 2     | C90010179BK |      | SIDE PANEL RH XBKX                |
| 2     | C90010179BT |      | SIDE PANEL RH XBTX                |
| 2     | C90010179BU |      | SIDE PANEL RH XBUX                |
| 2     | C90010179CB |      | SIDE PANEL RH XCBX                |
| 2     | C90010179EP |      | SIDE PANEL RH XEPX                |
| 2     | C90010179FG |      | SIDE PANEL RH XFGX                |
| 2     | C90010179GG |      | SIDE PANEL RH XGGX                |
| 2     | C90010179LE |      | SIDE PANEL RH XLEX                |
| 2     | C90010179MJ |      | SIDE PANEL RH XMJX                |
| 2     | C90010179SG |      | SIDE PANEL RH XSGX                |
| 2     | C90010179VB |      | SIDE PANEL RH XVBX                |
| 2     | C90010179WH |      | SIDE PANEL RH XWHX                |
| 3     | A2004481    |      | WIRE CHANNEL RH (VGSC306)         |
| 4     | PD020060    |      | 10 X 1/2 (5/16)HEX WSHER HD.(T)A  |
| 5     | A2004465    |      | AIR CHANNEL (VGSC306)             |
| 6     | PC030017    |      | 4 LEG ASSY                        |
| 7     | A20012922   |      | DISCONNECT POWER BRACKET          |
| 8     | PD020004    |      | 10X3/8PH.HD.TYPE 25 REPL PD040125 |
| 9     | B2001815    |      | LOWER ACC PAN - (VGRC605)         |
| 9     | C9001815AL  |      | LOWER ACC PAN - XALX (VGRC605)    |
| 9     | C9001815BK  |      | LOWER ACC PAN - XBKX (VGRC605)    |
| 9     | C9001815BT  |      | LOWER ACC PAN - XBTX (VGRC605)    |
| 9     | C9001815BU  |      | LOWER ACC PAN - XBUX (VGRC605)    |
| 9     | C9001815CB  |      | LOWER ACC PAN - XCBX (VGRC605)    |
| 9     | C9001815EP  |      | LOWER ACC PAN - XEPX (VGRC605)    |
| 9     | C9001815FG  |      | LOWER ACC PAN - XFGX (VGRC605)    |
| 9     | C9001815GG  |      | LOWER ACC PAN - XGGX (VGRC605)    |
| 9     | C9001815LE  |      | LOWER ACC PAN - XLEX (VGRC605)    |
| 9     | C9001815MJ  |      | LOWER ACC PAN - XMJX (VGRC605)    |
| 9     | C9001815SG  |      | LOWER ACC PAN - XSGX (VGRC605)    |
| 9     | C9001815VB  |      | LOWER ACC PAN - XVBX (VGRC605)    |
| 9     | C9001815WH  |      | LOWER ACC PAN - XWHX (VGRC605)    |

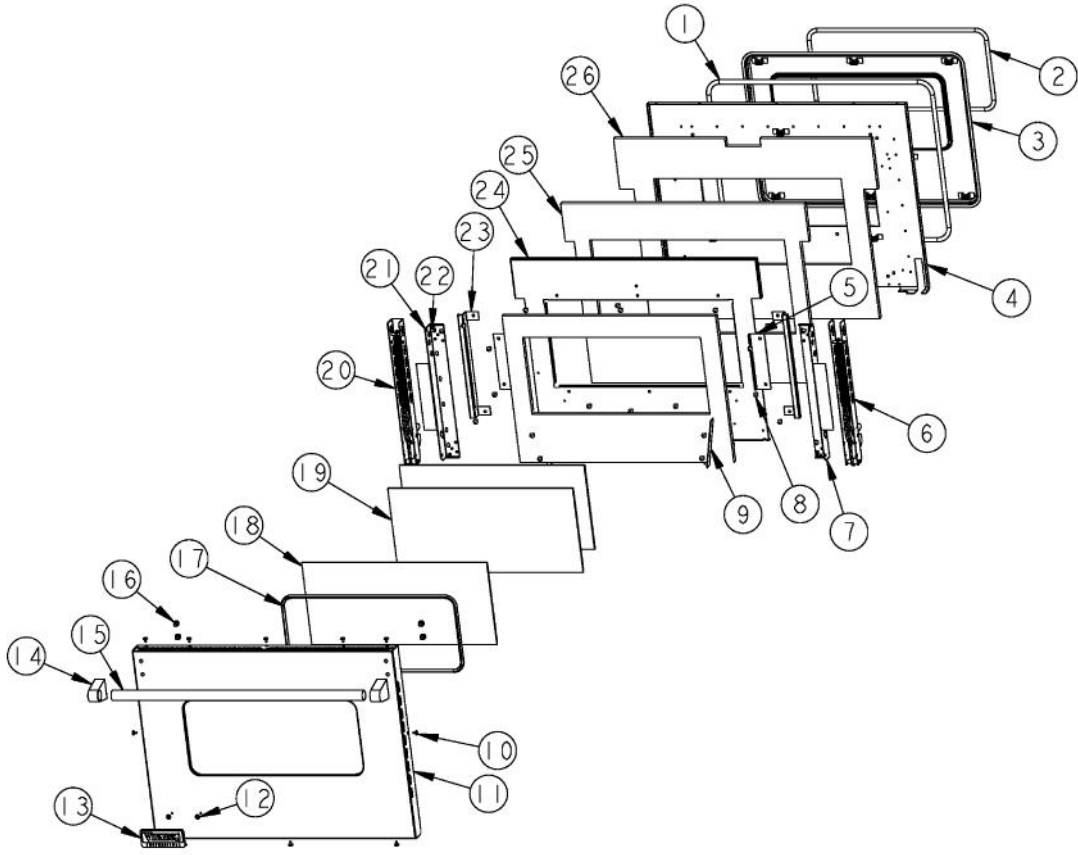


| Ref # | Part Number | Qty. | Description                     |
|-------|-------------|------|---------------------------------|
| 1     | 001026-000  |      | 3/8 MANIFOLD TUBING             |
| 2     | 003226-000  | 1    | FJT VALVE - NO NUT/FERRELL      |
| 3     | PD020060    |      | 10 X 1/2 (5/16)HEX WSHR HD.(T)A |
| 4     | PD020014    |      | 10X3/4 PH TR HD SMS             |
| 5     | PA020056    |      | TYTRONICS DSI MODULE            |
| 6     | PE050001    |      | TERMINAL BOARD                  |



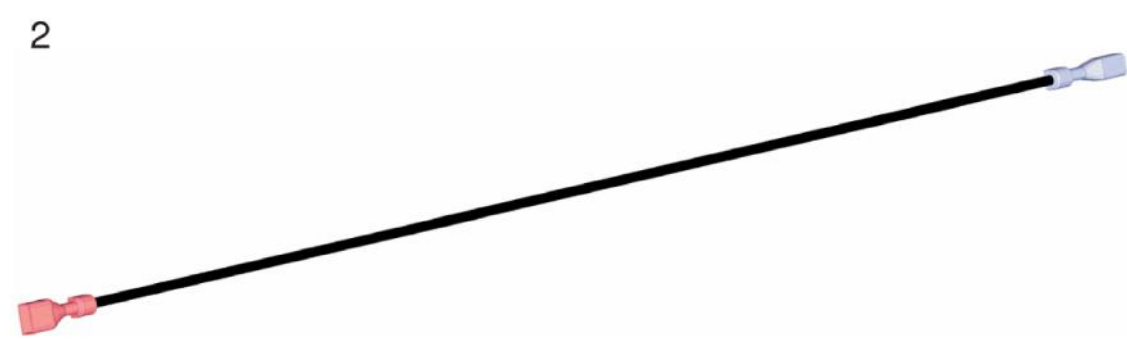
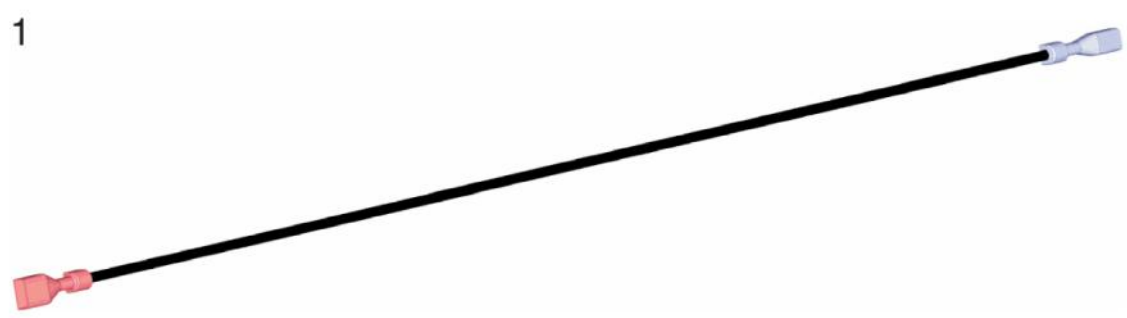


| Ref # | Part Number | Qty. | Description                       |
|-------|-------------|------|-----------------------------------|
| 1     | PD020048    |      | NO.10 X 1/2 TEK 410 SS SCREW      |
| 2     | PD020060    |      | 10 X 1/2 (5/16)HEX WSHER HD.(T)A  |
| 3     | PD020004    |      | 10X3/8PH.HD.TYPE 25 REPL PD040125 |
| 4     | 000967-000  |      | FLUE ASSY                         |
| 5     | A2004457    |      | OVEN O/S BACK (VGSC306)           |



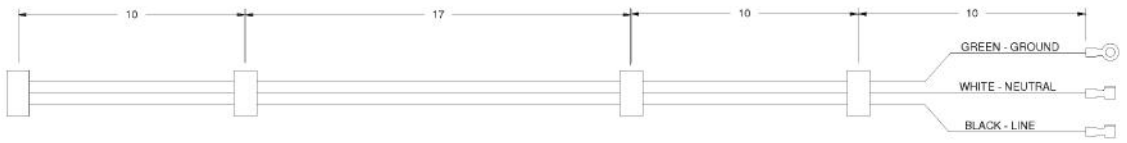
| Ref # | Part Number | Qty. | Description                        |
|-------|-------------|------|------------------------------------|
| 1     | 000042-000  |      | 30 DOOR GASKET                     |
| 2     | PB070150    |      | FIBERGLASS ROPE, 3/8 DIA.          |
| 3     | 001142-000  |      | PLUG, DOOR, ASM, PORCELAIN         |
| 4     | 001141-000  |      | LINER, DOOR, ASM, PORCELAIN        |
| 5     | A2002189    |      | DOOR GLASS STANDOFF (VDSC)         |
| 6     | PC020188    |      | DOOR HINGE                         |
| 7     | 000075-000  |      | DOOR HINGE BRACKET                 |
| 8     | PD020002    |      | 10 X 1/2 PH.TR.HD.SMS.             |
| 9     | A2002497    |      | DOOR GUIDE ANGLE VDSC              |
| 10    | PD020032    |      | SRW-8(A)X3/8PH.WFR HD 7/16DIAXNICL |
| 11    | B2002188    |      | O/S DOOR PANEL XSSX (VDSC30)       |
| 11    | C9002188AL  |      | O/S DOOR PANEL-XALX (VDSC30)       |
| 11    | C9002188BK  |      | O/S DOOR PANEL-XBKX (VDSC30)       |
| 11    | C9002188BT  |      | O/S DOOR PANEL-XBTX (VDSC30)       |
| 11    | C9002188BU  |      | O/S DOOR PANEL-XBUX (VDSC30)       |
| 11    | C9002188CB  |      | O/S DOOR PANEL-XCBX (VDSC30)       |
| 11    | C9002188EP  |      | O/S DOOR PANEL-XEPX (VDSC30)       |
| 11    | C9002188FG  |      | O/S DOOR PANEL-XFGX (VDSC30)       |
| 11    | C9002188GG  |      | O/S DOOR PANEL-XGGX (VDSC30)       |
| 11    | C9002188LE  |      | O/S DOOR PANEL-XLEX (VDSC30)       |
| 11    | C9002188MJ  |      | O/S DOOR PANEL-XMJX (VDSC30)       |
| 11    | C9002188SG  |      | O/S DOOR PANEL-XSGX (VDSC30)       |
| 11    | C9002188VB  |      | O/S DOOR PANEL-XVBX (VDSC30)       |
| 11    | C9002188WH  |      | O/S DOOR PANEL-XWHX (VDSC30)       |
| 12    | PD030006    |      | CAPPED WASHER PAL NUT              |
| 13    | PE010016    |      | NAMEPLATE, LOGO, PRO               |
| 13    | PE010079    |      | 4.5 LOGO/VIKING PROF, BK/BR        |
| 13    | PE010017    |      | LOGO (VGSO,VEDO,VGDO,VUD) XWH/CHR  |
| 13    | PE010080    |      | 4.5 LOGO/VIKING PROF XWH/BR        |
| 14    | PE030001    |      | BRACKET, DOOR, HANDLE              |
| 14    | PE030001PVD |      | END CAP DOOR HANDLE XBR            |
| 15    | PE030005    |      | DOOR HANDLE - VGSC30/RC60/RC48RH   |
| 15    | PE030012PVD |      | DOOR HANDLE - RH - (30/48) PVD     |
| 16    | PD010019    |      | BLT-1/4-20X3/8HEX WASHER SERATED   |
| 17    | PE060031    |      | J-MOLD (LARGE WINDOW)              |
| 17    | PE060045    |      | J-MOLD (LARGE WINDOW) XBRX         |
| 18    | PE060030    |      | GLASS-OUTER DOOR BK SCREENED,TEMP  |
| 19    | PE060039    |      | GLASS-HEAT TREATED (HB2) VDSC      |
| 20    | PC020223    |      | DOOR HINGE (LONG SPRING) NSF       |
| 21    | 000932-000  |      | DOOR HINGE BRACKET                 |
| 22    | PD020004    |      | 10X3/8PH.HD.TYPE 25 REPL PD040125  |
| 23    | A2002367    |      | DOOR GLASS BRKT                    |
| 24    | A20015315   |      | DOOR INSULATION RETAINER           |
| 25    | 002559-000  |      | 30 DOOR INSULATION                 |
| 26    | PB070145    |      | SUPERWOOL 5 X 24 X 3'              |
| NI    | 001196-007  |      | DOOR ASSEMBLY, 30 (AL)             |
| NI    | 001196-107  |      | DOOR ASSEMBLY, 30 (ALBR)           |
| NI    | 001196-002  |      | DOOR ASSEMBLY, 30 (BK)             |
| NI    | 001196-102  |      | DOOR ASSEMBLY, 30 (BKBR)           |
| NI    | 001196-003  |      | DOOR ASSEMBLY, 30 (BT)             |
| NI    | 001196-103  |      | DOOR ASSEMBLY, 30 (BTBR)           |
| NI    | 001196-008  |      | DOOR ASSEMBLY, 30 (BU)             |
| NI    | 001196-108  |      | DOOR ASSEMBLY, 30 (BUBR)           |
| NI    | 001196-013  |      | DOOR ASSEMBLY, 30 (CB)             |
| NI    | 001196-113  |      | DOOR ASSEMBLY, 30 (CBBR)           |
| NI    | 001196-014  |      | DOOR ASSEMBLY, 30 (EP)             |
| NI    | 001196-114  |      | DOOR ASSEMBLY, 30 (EPBR)           |
| NI    | 001196-011  |      | DOOR ASSEMBLY, 30 (FG)             |
| NI    | 001196-111  |      | DOOR ASSEMBLY, 30 (FGBR)           |
| NI    | 001196-005  |      | DOOR ASSEMBLY, 30 (GG)             |

| Ref # | Part Number | Qty. | Description              |
|-------|-------------|------|--------------------------|
| NI    | 001196-005  |      | DOOR ASSEMBLY, 30 (GG)   |
| NI    | 001196-105  |      | DOOR ASSEMBLY, 30 (GGBR) |
| NI    | 001196-009  |      | DOOR ASSEMBLY, 30 (LE)   |
| NI    | 001196-109  |      | DOOR ASSEMBLY, 30 (LEBR) |
| NI    | 001196-010  |      | DOOR ASSEMBLY, 30 (MJ)   |
| NI    | 001196-110  |      | DOOR ASSEMBLY, 30 (MJBR) |
| NI    | 001196-004  |      | DOOR ASSEMBLY, 30 (SG)   |
| NI    | 001196-104  |      | DOOR ASSEMBLY, 30 (SGBR) |
| NI    | 001196-000  |      | DOOR ASSEMBLY, 30 SS     |
| NI    | 001196-100  |      | DOOR ASSEMBLY, 30 (SSBR) |
| NI    | 001196-012  |      | DOOR ASSEMBLY, 30 (VB)   |
| NI    | 001196-112  |      | DOOR ASSEMBLY, 30 (VBBR) |
| NI    | 001196-006  |      | DOOR ASSEMBLY, 30 (WH)   |
| NI    | 001196-106  |      | DOOR ASSEMBLY, 30 (WHBR) |



| Ref # | Part Number | Qty. | Description                     |
|-------|-------------|------|---------------------------------|
| 1     | 000647-000  |      | IRIS IGNITOR WIRE, FRONT BURNER |
| 2     | 000648-000  |      | IRIS IGNITOR WIRE, BACK BURNER  |

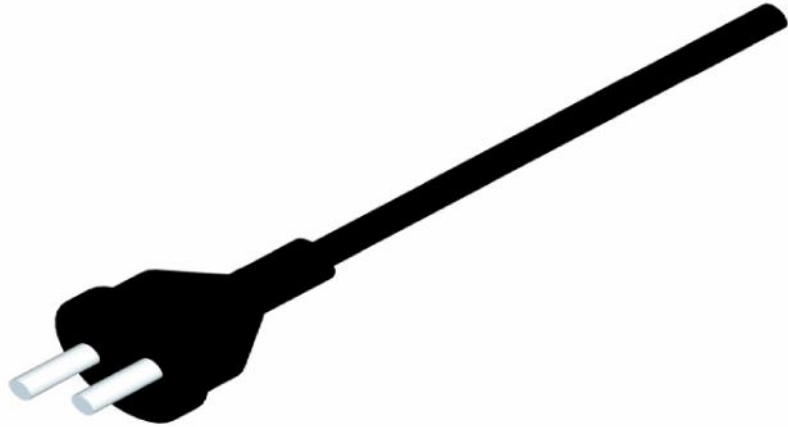
1



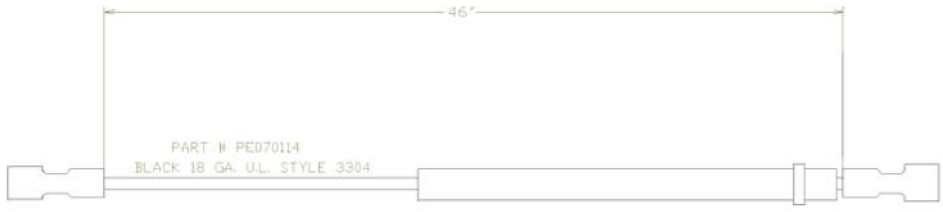


| Ref # | Part Number | Qty. | Description       |
|-------|-------------|------|-------------------|
| 1     | PE070889    |      | IRIS HARNESS - 30 |

1



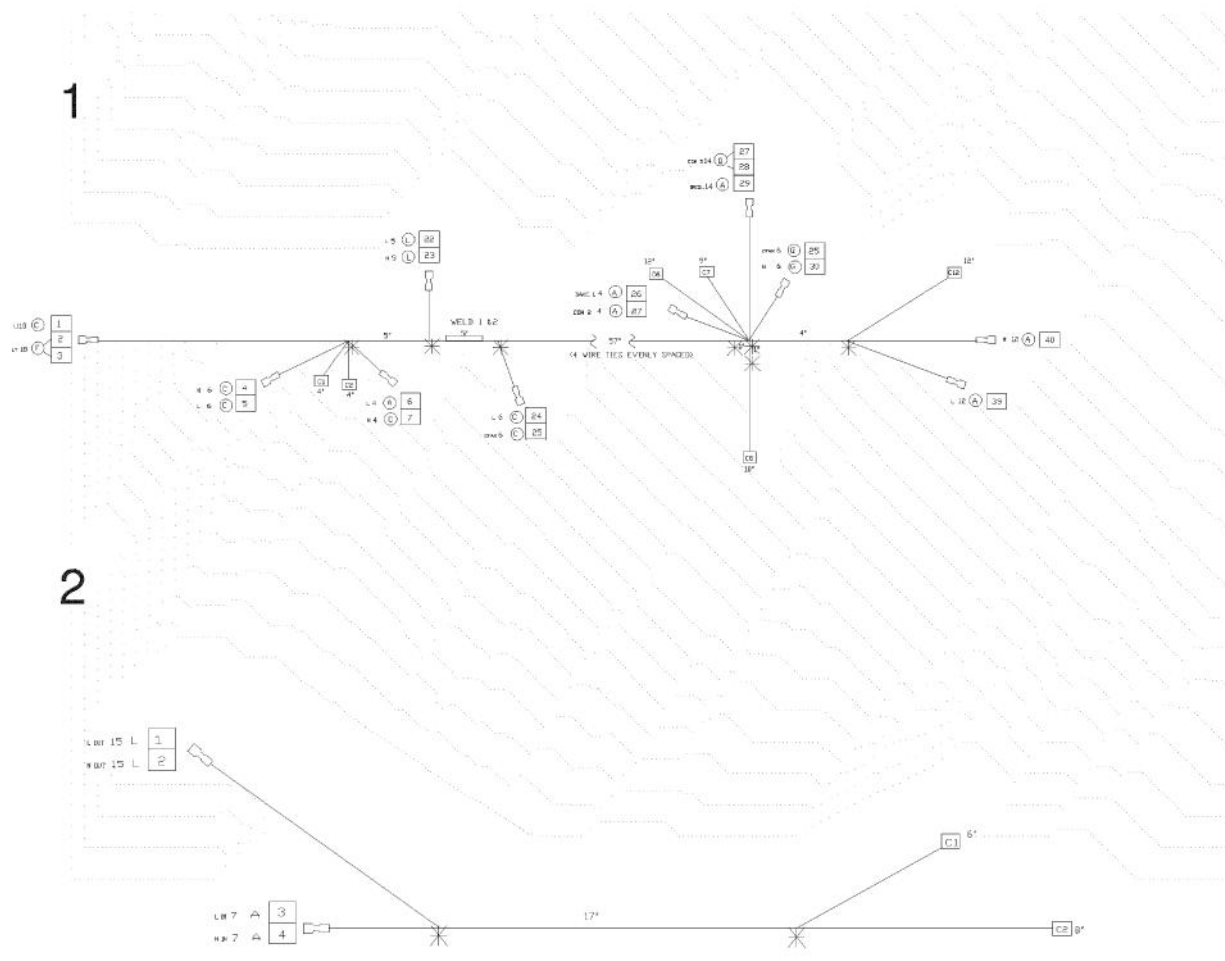
2



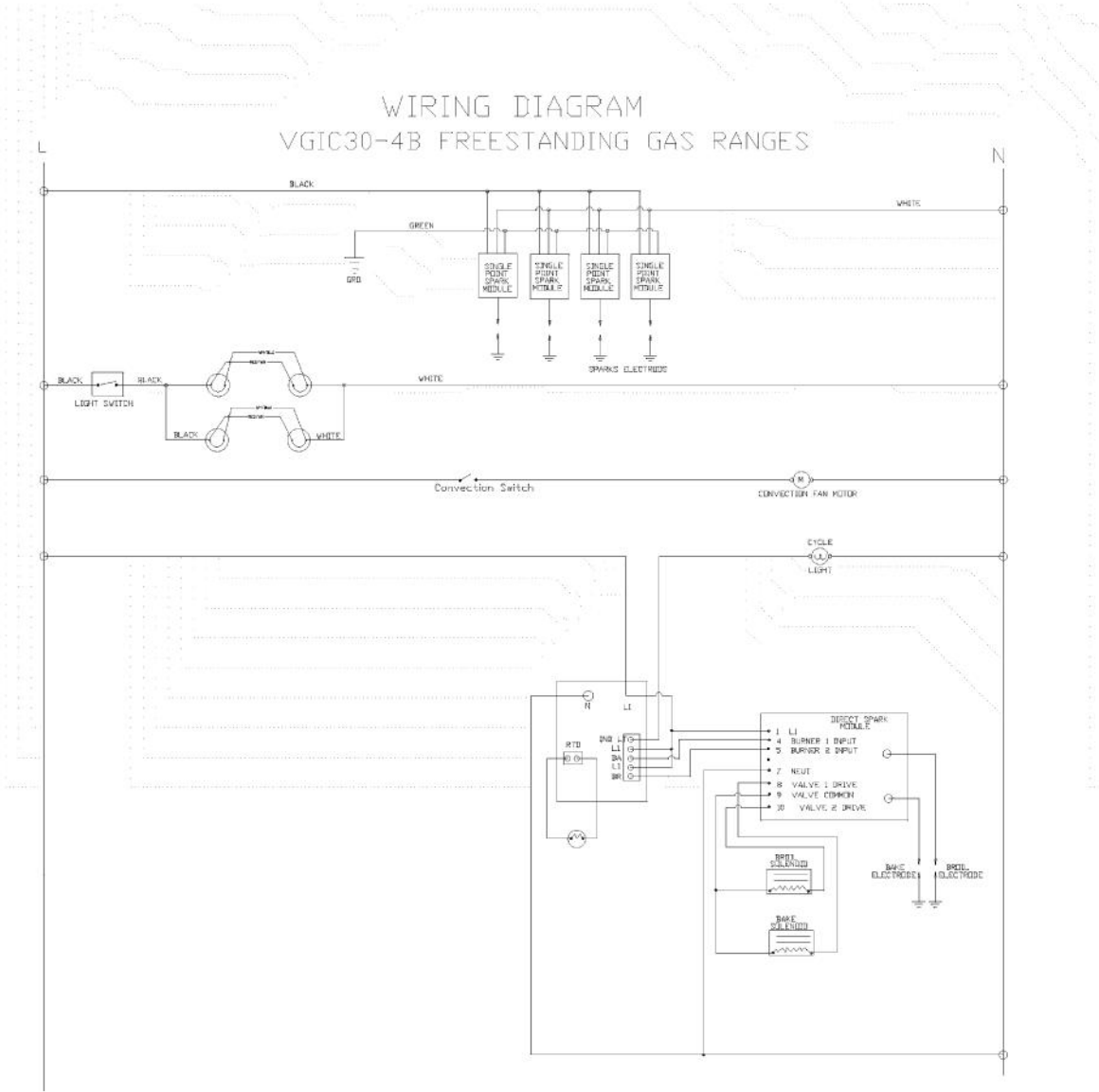
3



| Ref # | Part Number | Qty. | Description              |
|-------|-------------|------|--------------------------|
| 1     | G4008493    |      | SUPPLY CORD ASSY- VGSU   |
| 2     | 001911-000  |      | WIRE, ASSY, BAKE IGNITOR |



| Ref # | Part Number | Qty. | Description              |
|-------|-------------|------|--------------------------|
| 1     | 001502-000  |      | VGIC308 WIRE HARNESS     |
| 2     | 001754-000  |      | HARNESS POWER DISCONNECT |



| Ref # | Part Number | Qty. | Description |
|-------|-------------|------|-------------|
|-------|-------------|------|-------------|

---