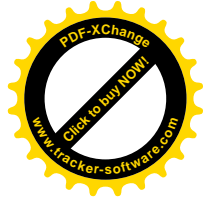




# VGIS300

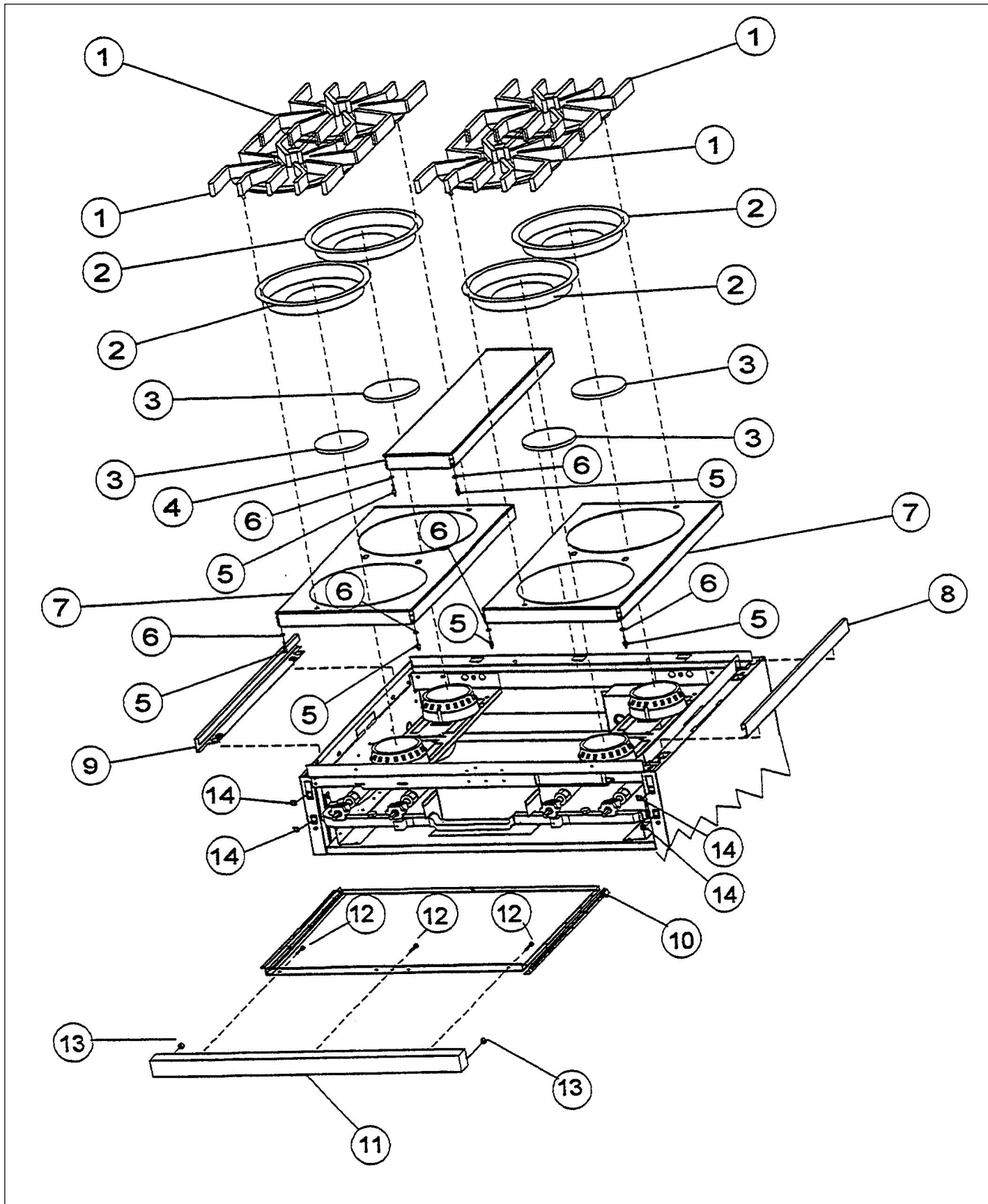


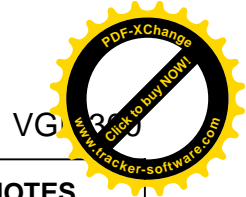


# Contents

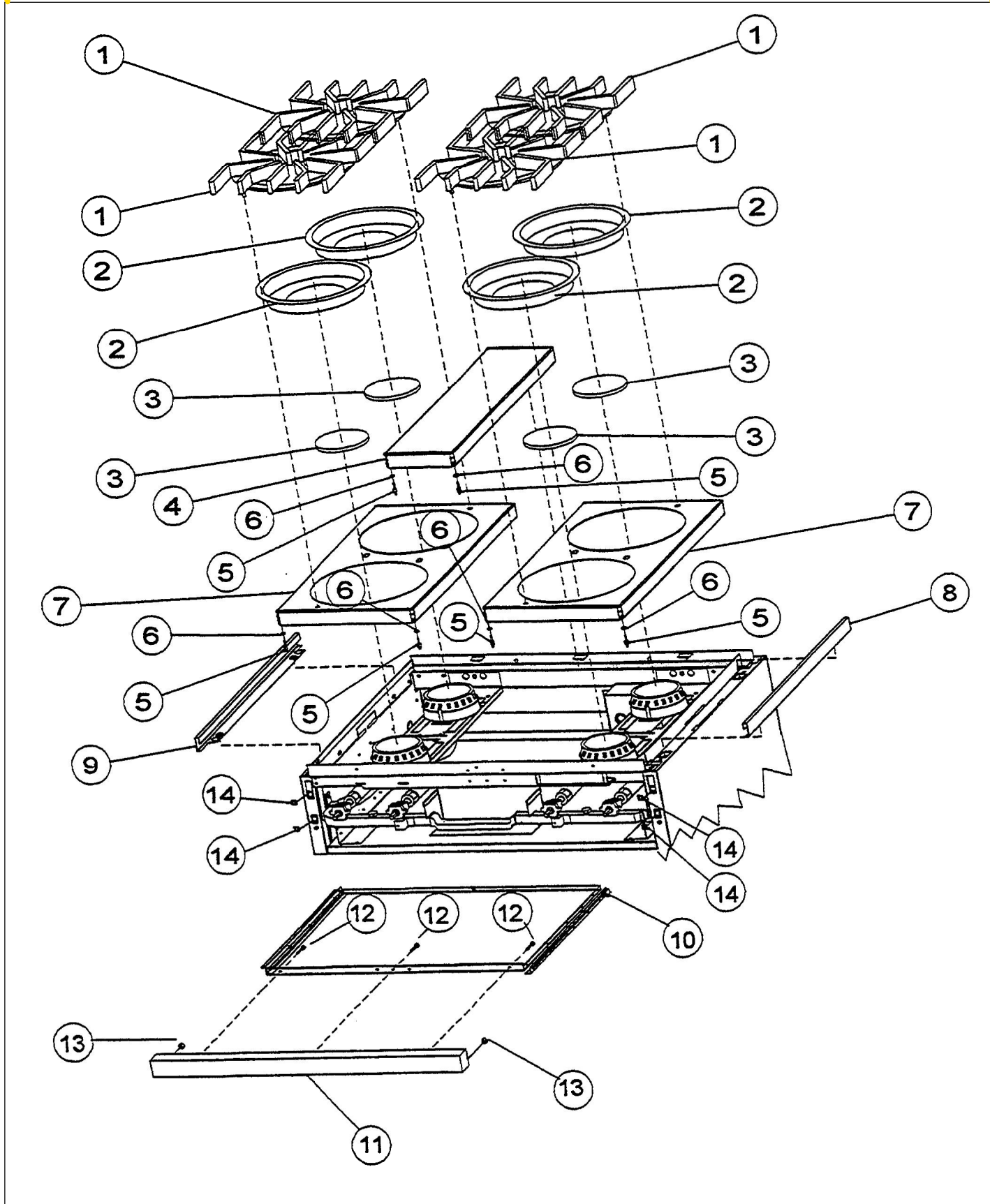
BURNER BOX EXTERIOR ASSY .....	1
BURNER BOX SUBASSEMBLY .....	2
CONTROL-RACK ASSY .....	3
DOOR AFTER 2-94 .....	4
DOOR BEFORE 2-94 .....	5
GAS - ELECTRICAL .....	6
PANEL-OVEN ASSY .....	7
Appendix A:Pages Index .....	A
Appendix B:Parts Index .....	B

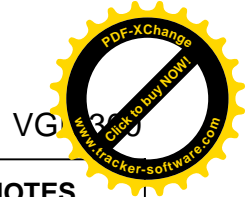
# CORNER BOX EXTERIOR ASSY





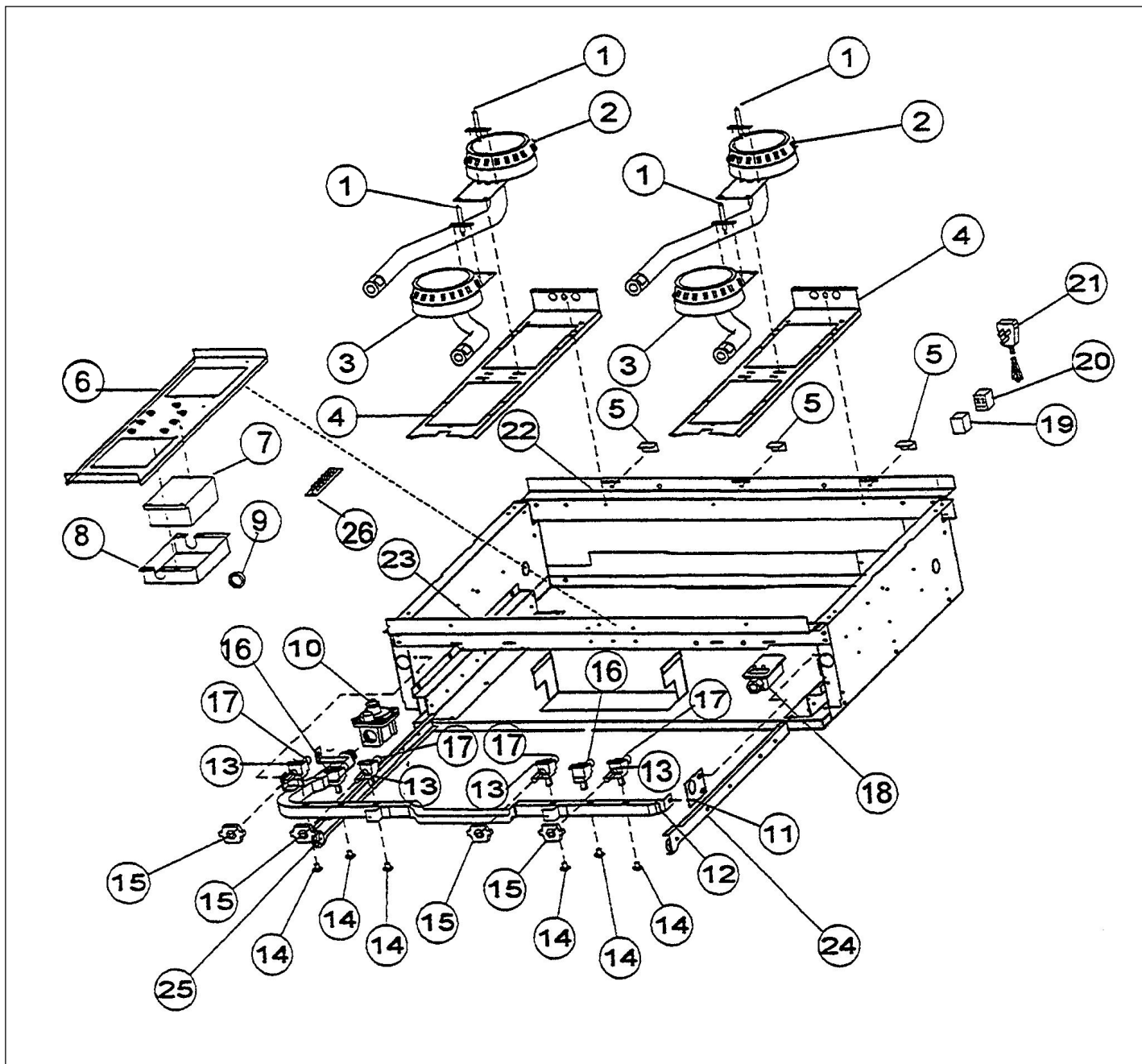
Item	Part No.	Name	Qty	Uom	NOTES
1	PA060037	GRATE BK REPL PA060024 (GEN.#2)	1	EA	
Not Shown	PA060038	GRAY GRATES	1	EA	
2	PA030002AL	BURNER BOWL - AL (FOR USE WITH UPGRADE KIT)	1	EA	
Not Shown	PA030002BK	BURNER BOWL (VGRT) **BK**	1	EA	
Not Shown	PA030002FG	BURNER BOWL - FG (FOR USE WITH UPGRADE KIT)	1	EA	
Not Shown	PA030002PL	BURNER BOWL (VGRT) **PL**	1	EA	
Not Shown	PA030002VB	BURNER BOWL (VGRT) **VB**	1	EA	
Not Shown	PA030002WH	BURNER BOWL (VGRT) **WH**	1	EA	
3	PA080015	BURNER CAP-VGRT *BK*	1	EA	
Not Shown	PA080016	BURNER CAP-VGRT (GRAY-MATT)	1	EA	
4	E9101408AL	CENTER WORK SPACE - AL	1	EA	
Not Shown	E9101408BK	CENTER WORK SPACE - BK	1	EA	
Not Shown	E9101408FG	CENTER WORK SPACE - FG	1	EA	
Not Shown	E9101408PL	CENTER WORK SPACE - PL	1	EA	
Not Shown	E9101408VB	CENTER WORK SPACE - VB	1	EA	
Not Shown	E9101408WH	CENTER WORK SPACE - WH	1	EA	
5	PD010017	BALL STUD (VGRT)	1	EA	
6	PD030012	6-32 HEX NUT	1	EA	
7	G50013584AL	GRATE SUPPORT - AL	1	EA	
Not Shown	G50013584BK	GRATE SUPPORT SERVICE KIT (BK)	1	EA	
Not Shown	G50013584FG	GRATE SUPPORT - FG	1	EA	
Not Shown	G50013584PL	GRATE SUPPORT - PL	1	EA	
Not Shown	G50013584VB	GRATE SUPPORT - VB	1	EA	

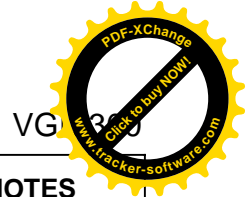
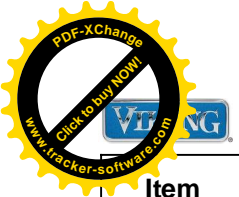




Item	Part No.	Name	Qty	Uom	NOTES
Not Shown	G50013584WH	GRATE SUPPORT SERVICE KIT (WH)	1	EA	
8	B2002345	SIDE TRIM - RH (VGSS)	1	EA	
Not Shown	C9302345BR	SIDE TRIM - RH (VGSS) *BR*	1	EA	
9	B2002346	SIDE TRIM - LH (VGSS)	1	EA	
Not Shown	C9302346BR	SIDE TRIM - LH (VGSS) *BR*	1	EA	
10	G3101427	DRIP TRAY ASSY - (VGSC 30) RIVITED	1	EA	
11	B2001840	SUB TO PK010017 - D HNDLE(VGRC605)	1	EA	NO LONGER AVAILABLE
Not Shown	C9301840PVD	DRIP TY HDLE REPL C9301840BR	1	EA	
12	PD010003	10-24 X 1/2 PH.TR.HD.SERD.M.S.	1	EA	
NI	PD030010	#10-24 KEPS NUT ZINC PLATED	1	EA	
13	PD040004	GROMMET BUMPER	1	EA	
14	PD030005	SELF RETAINING NUT	1	EA	

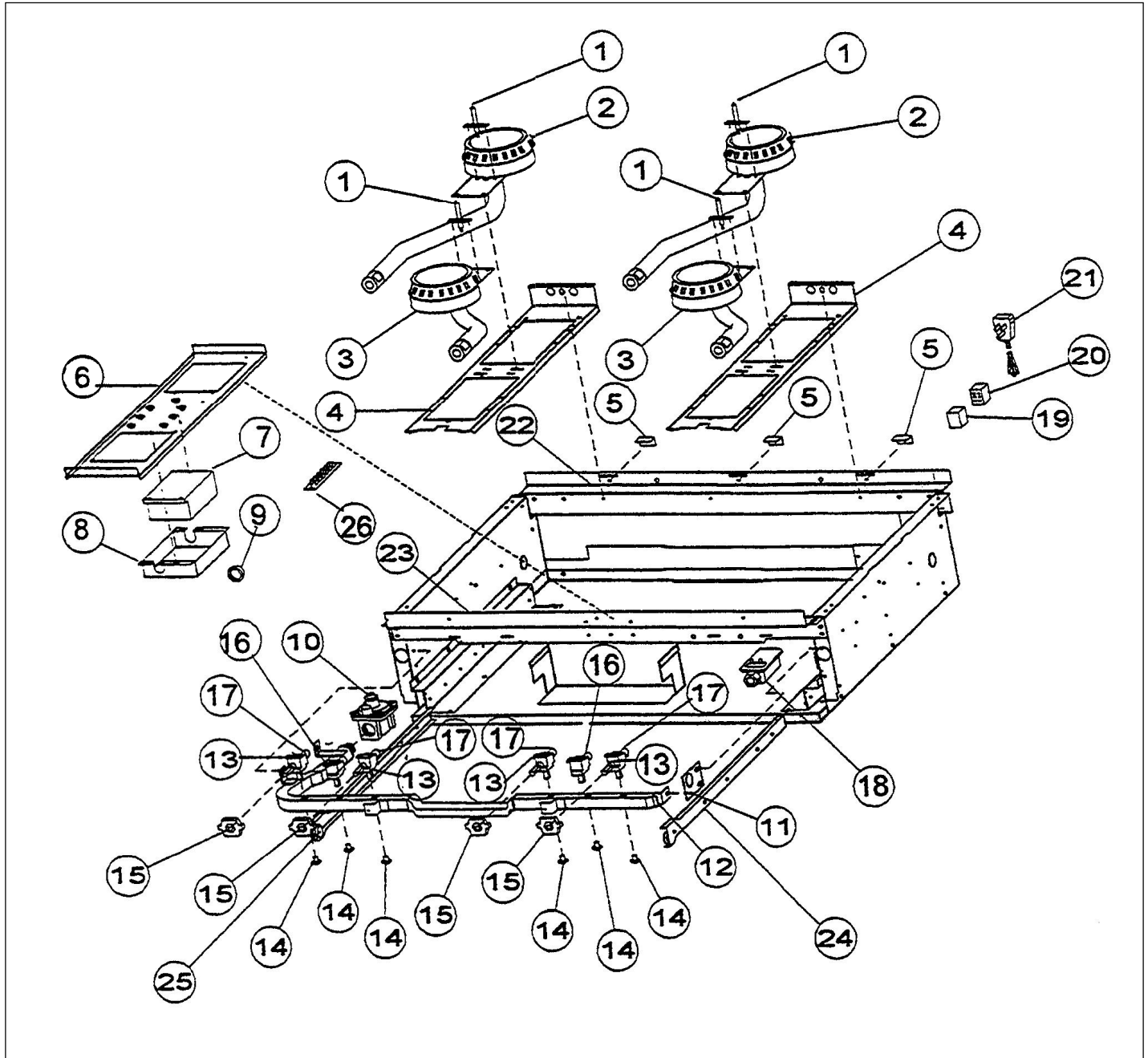
# CORNER BOX SUBASSEMBLY

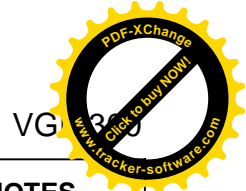




Item	Part No.	Name	Qty	Uom	NOTES
1	PA020014	SPARK IGNITOR	1	EA	
<p>Comments for Part Num. PA020014</p> <p>bradleysapplianceservice@shaw.ca on Nov 2, 2016</p> <p>SUBS TO: PA020028 SPARK IGNITOR</p>					
2	PA080036	TOP BURNER REAR REPL PA080008	1	EA	
3	PA080037	TOP BURNER FRONT REPL PA080007	1	EA	
4	A2001112	BURNER SUPT (VGRT)	1	EA	
5	A2001147	GRATE SUPT ANGLE (VGRT)	1	EA	
6	A2001456	SPARK MODULE SUPT (VGSS/SC)	1	EA	
7	PA020016	SPARK MODULE	1	EA	
8	A2001432	SPARK MODULE/TERMINAL COVER	1	EA	NO LONGER AVAILABLE
9	PD040005	SNAP BUSHING - 7/8	1	EA	
10	PA070001	PRESSURE REGULATOR (NAT.)	1	EA	
11	A1001138	MANIFOLD BRKT	1	EA	NO LONGER AVAILABLE
12	PA050113	MANIFOLD	1	EA	
13	003519-000	PA010024 VALVE AND BOLT KIT	1	EA	SUB TO 003515-000
NI	PA020029	Switch Spacer	1	EA	
Not Shown	NOTE	(AFTER SERIAL # R08090218539)		EA	
14	PD010012	VALVE BOLT 1/4-20 UNC-2B 5/16" M.S.	1	EA	
15	PA020015	Spark Ignition Switch	1	EA	
Not Shown	NOTE	(BEFORE 2/23/05)		EA	
15	PA020045	Spark Ignition Switch	1	EA	
Not Shown	NOTE	(AFTER 2/23/05)		EA	
16	PB030007	SHUT OFF VALVE	1	EA	
17	PB040034	ORIFICE HOOD-#50 (NAT)	1	EA	
Not Shown	PB040036	ORIFICE HOOD-#57 (LP)	1	EA	

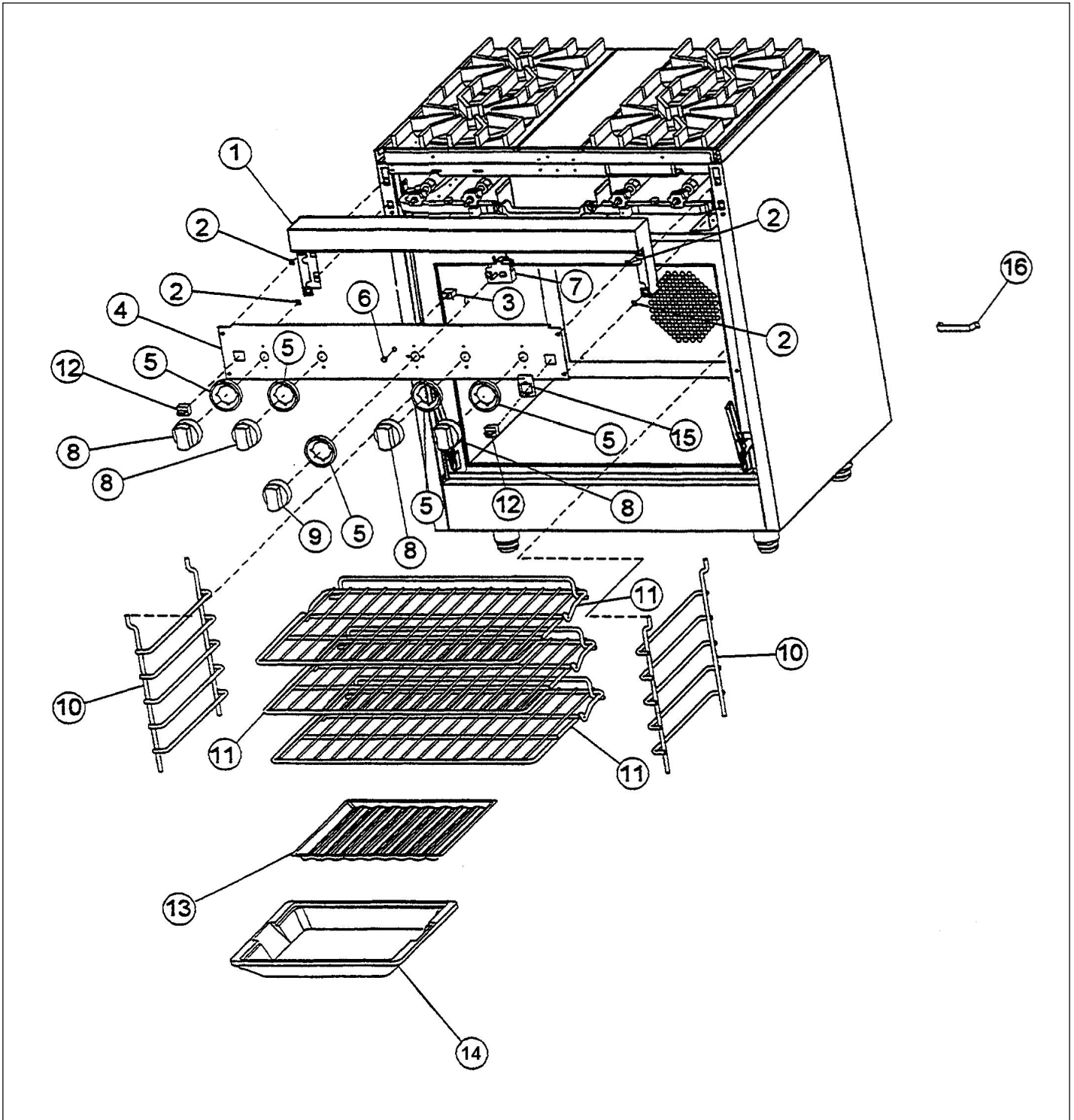


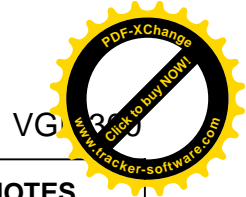




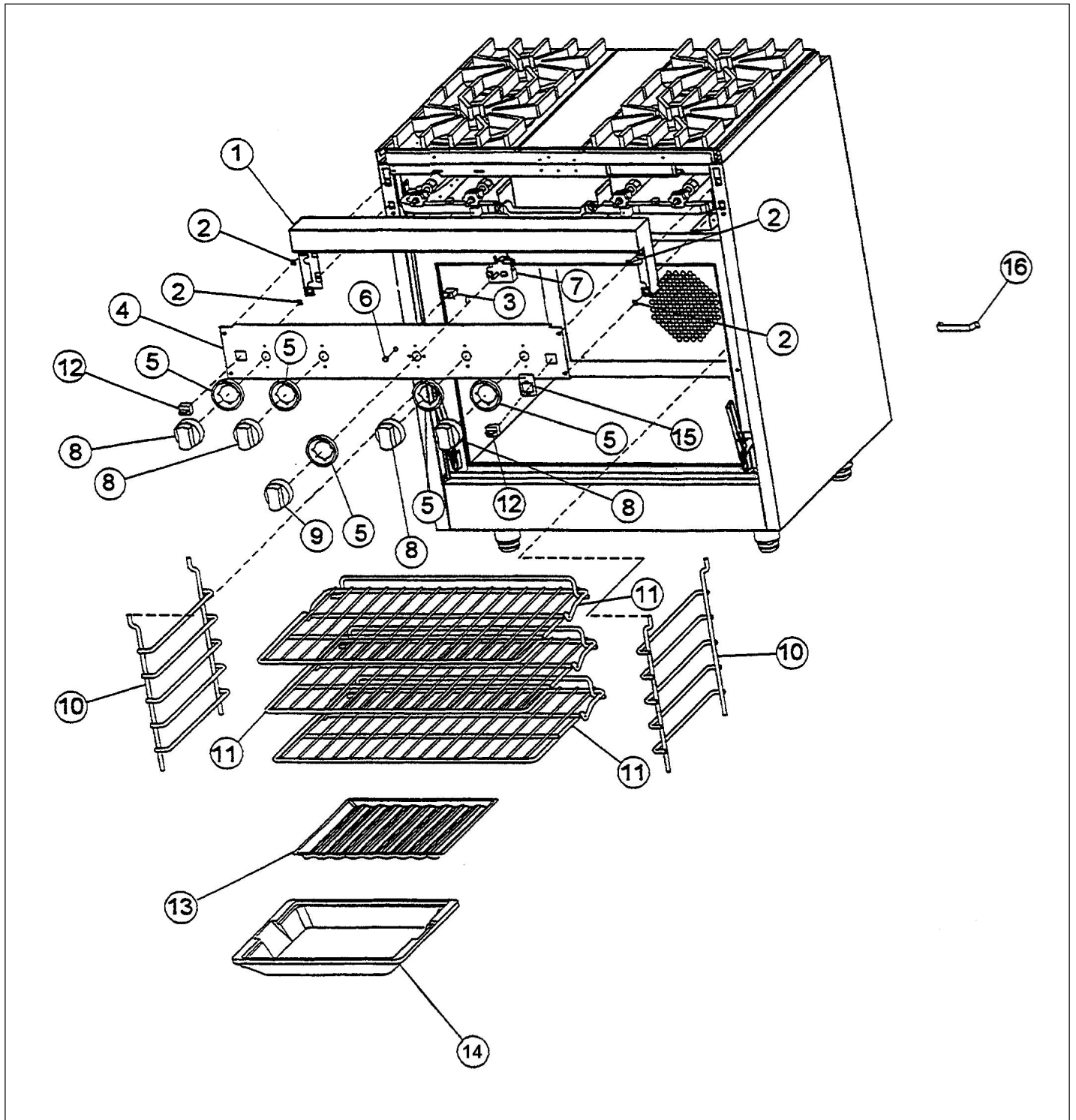
Item	Part No.	Name	Qty	Uom	NOTES
18	PB010034	SINGLE THERMAL VALVE - 36" BUILT-IN	1	EA	
Not Shown	NOTE	(BEFORE SERIAL # R01179700658)		EA	
Not Shown	PB010083	SINGLE THERMAL VALVE LH (OVEN)	1	EA	
Not Shown	NOTE	(AFTER SERIAL # R01179700658)		EA	
19	PE070070	Disconnect Block - Male	1	EA	
20	PE070071	Disconnect Block - Female	1	EA	
21	PE070128	Supply Cord	1	EA	
Not Shown	NOTE	(AFTER 2-95)		EA	
21	PE070068	SUPPLY CORD	1	EA	
Not Shown	NOTE	(BEFORE 2-95)		EA	
22	A2002364	REAR BURNER SUPT VGSC/SS30	1	EA	
23	A2001404	FRONT BURNER HOLDER (VGSS)	1	EA	NO LONGER AVAILABLE
24	PK000008	Drip Tray Guide - RH	1	EA	
25	PK000007	DRIP TRAY GUIDE - LH (VGRT)	1	EA	
26	PE050001	TERMINAL BOARD	1	EA	
NI	PB020038	BROIL TUBING	1	EA	
NI	G4001593	SPARK MODULE-TOP BRNR SPARKER (16)	1	EA	
NI	G4001587	SPARK MODULE-TOP BRNR SPARKER (25)	1	EA	

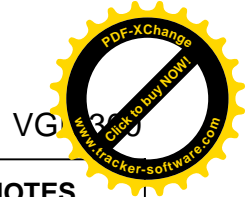
# CONTROL-RACK ASSY





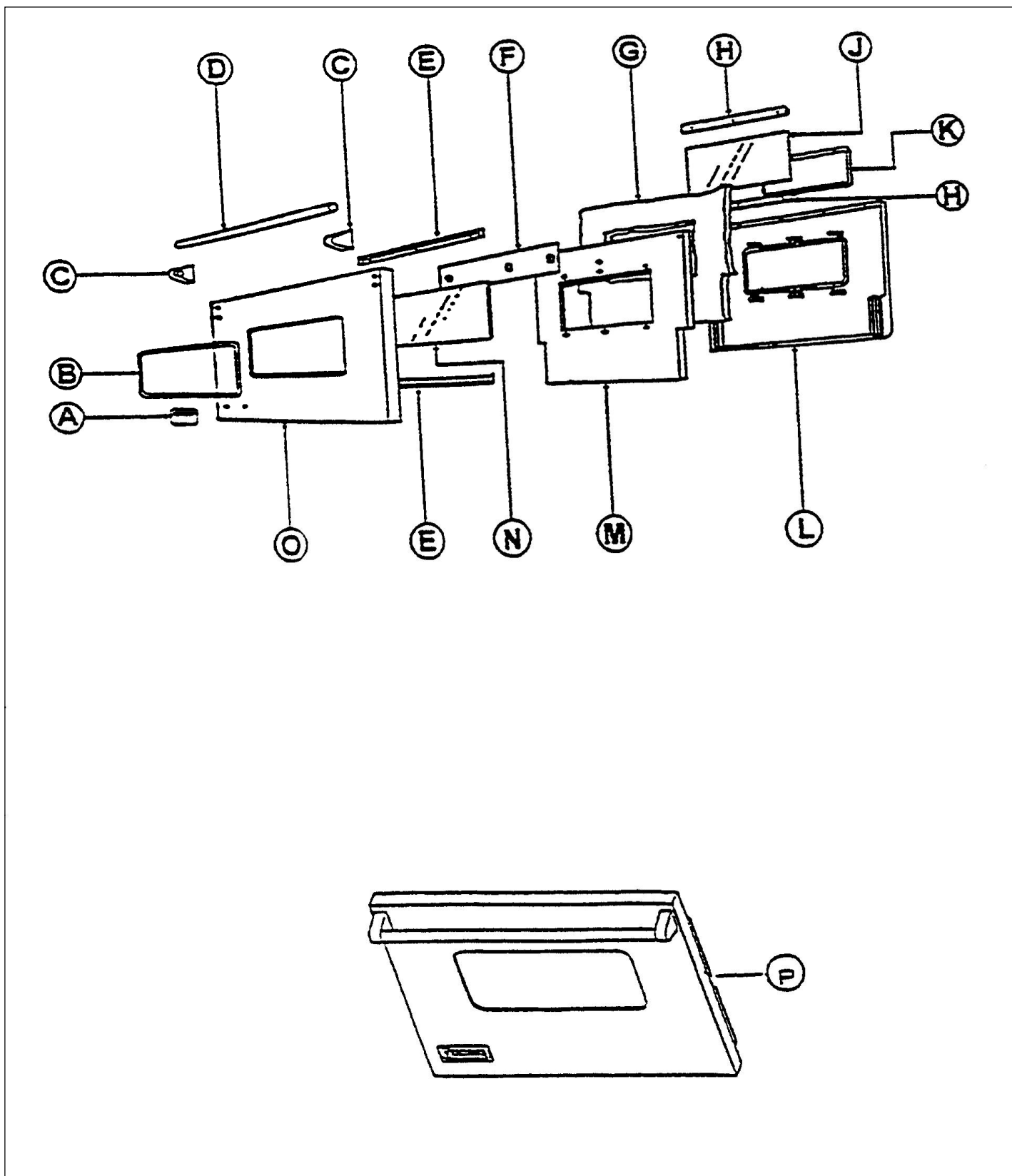
Item	Part No.	Name	Qty	Uom	NOTES
1	G3001406	LANDING LEDGE ASSY	1	EA	
2	PD030050	10-24 CAGE NUT *SS*	1	EA	
3	PE050024	OVEN IND. LIGHT (LIGHT HOUSING)	1	EA	
4	B9201948	CTRL PAN (VGIS300-4B)	1	EA	
5	PB010208	Bezel - SS	1	EA	
Not Shown	PB010209	Bezel - BR	1	EA	
6	PE050023	OVEN IND. LIGHT (LENS & BEZEL)	1	EA	
Not Shown	PE050015	OVEN INDICATOR LIGHT (NO WIRE)	1	EA	
Not Shown	PE050006	INDICATOR LIGHT - WITHOUT WIRE	1	EA	
7	PB010036	THERMOSTAT BAKE/BROIL	1	EA	
8	PA010034	TOP BURNER KNOB-*BK* (NEW STYLE)	1	EA	
Not Shown	NOTE	(BEFORE 08/09/02) - IF ORIGINAL VALVE HAS NEVER BEEN REPLACED		EA	
Not Shown	PA010035	BURNER KNOB-WH NS REPL PA010028	1	EA	
Not Shown	NOTE	(BEFORE 08/09/02) - IF ORIGINAL VALVE HAS NEVER BEEN REPLACED		EA	
Not Shown	PB010206	Top Burner Knob - BK	1	EA	
Not Shown	NOTE	(AFTER 08/09/02) - OR IF ORIGINAL VALVE HAS BEEN REPLACED		EA	
Not Shown	PB010207	Top Burner Knob - WH	1	EA	
Not Shown	NOTE	(AFTER 08/09/02) - OR IF ORIGINAL VALVE HAS BEEN REPLACED		EA	
9	PB010099	T/STAT B/B KNOB BK REPL PB010039BK*	1	EA	

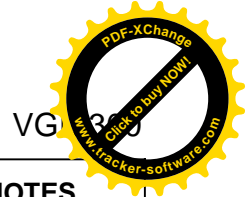




Item	Part No.	Name	Qty	Uom	NOTES
Comments for Part Num. PB010099					
imardr@att.net on Nov 8, 2015 need to list the white knob for a VGIC3054BWH Reply by bradleysapplianceservice@shaw.ca on Sep 30, 2016 The White Knobs are NLA. Only Black are available. bradleysapplianceservice@shaw.ca on Sep 30, 2016 THE WHITE KNOBS ARE NLA. ONLY BLACK KNOBS ARE AVAILABLE.					
Not Shown	NOTE	(AFTER 1/95)		EA	
Not Shown	PB010100	THERMOSTAT BAKE/BROIL KNOB *WH* N/S	1	EA	
Not Shown	NOTE	(AFTER 1/95)		EA	
Not Shown	PB010091	T/STAT BK/BRL KNB*BK*REP PB010016	1	EA	
Not Shown	NOTE	(BEFORE 1/95)		EA	
Not Shown	PB010092	T/STAT BAK/BROL KNB*WH*-SC/RC-(VLOX	1	EA	
Not Shown	NOTE	(BEFORE 1/95)		EA	
10	PB060018	OVEN RACK SUPPORT	1	EA	
11	PB060011	OVEN RACK - 48" (RH OVEN)	1	EA	
12	PE050016	OVEN LIGHT SWITCH - *BK* (WES-GAR)	1	EA	
Not Shown	PE050017	OVEN LIGHT SWITCH - *WH* (WES-GAR)	1	EA	
13	PB080003	BROILER PAN TRAY (KRA2)	1	EA	NO LONGER AVAILABLE
14	PB080002	BROILER PAN	1	EA	
15	PE010081	CONVECTION-LABEL/PLATE (CHROME)	1	EA	
Not Shown	PE010082	CONVECTION-LABEL/PLATE (*BR*)	1	EA	
16	A2001259	ANTI-TIP DEVICE	1	EA	

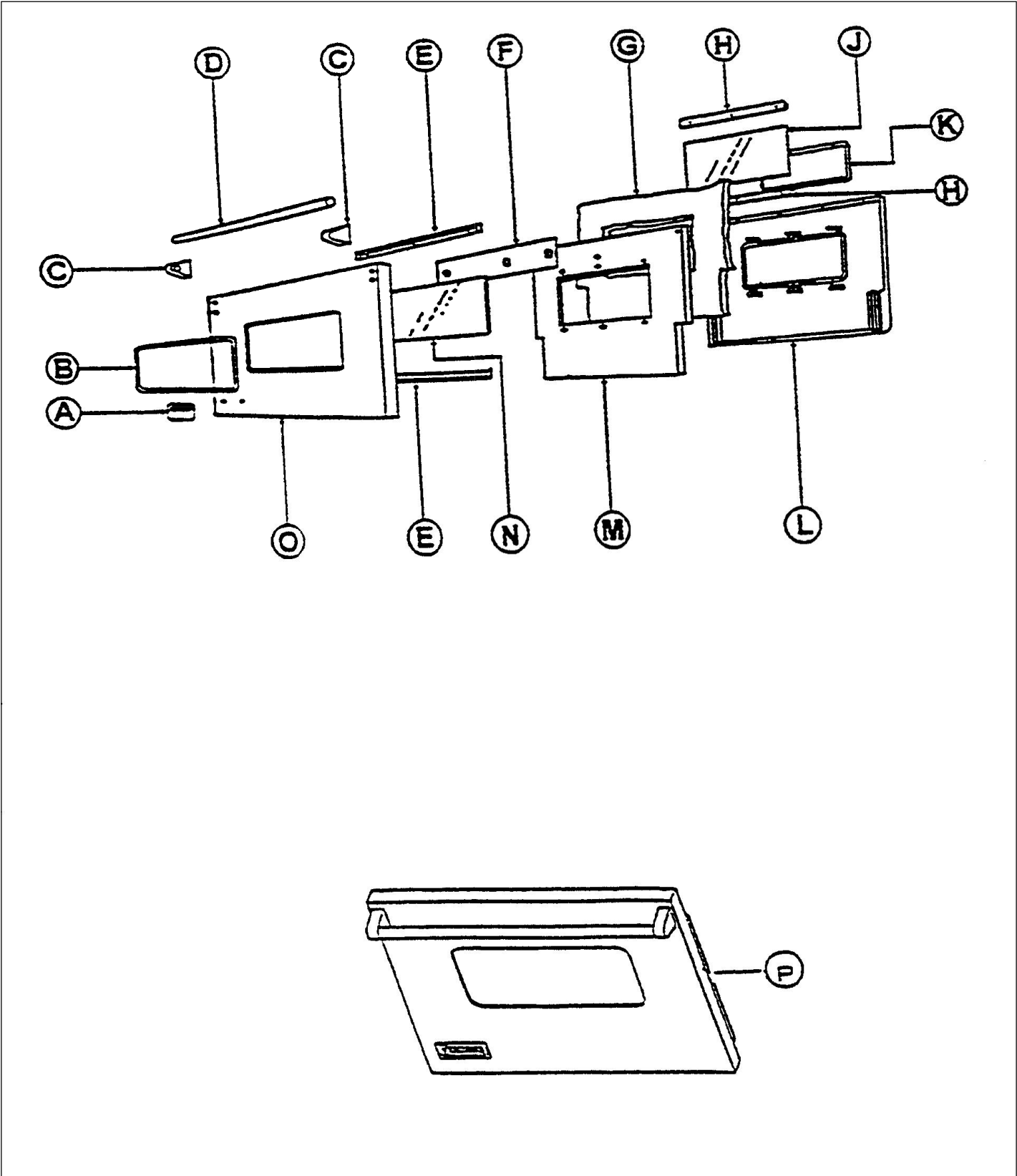
OR AFTER 2-94

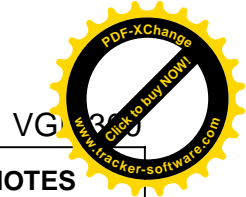




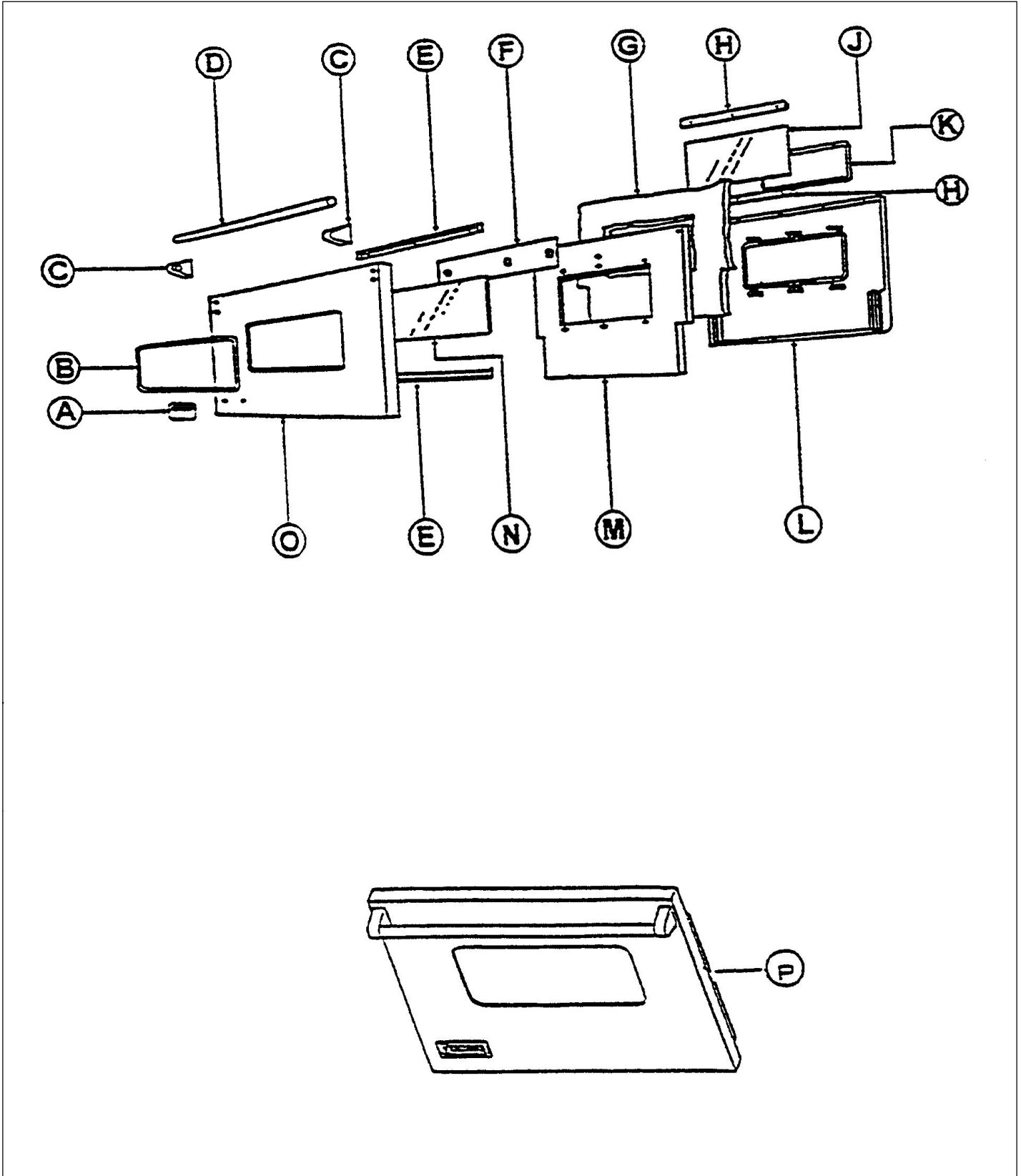
Item	Part No.	Name	Qty	Uom	NOTES
A	PE010016	LOGO BK/CHR 4.5 X 1.875	1	EA	
Not Shown	PE010017	LOGO (VGSO,VEDO,VGDO,VUD) *WH/CHR	1	EA	
Not Shown	PE010079	4.5" LOGO/VIKING PROF *BK/BR	1	EA	
Not Shown	PE010080	4.5" LOGO/VIKING PROF *WH/BR	1	EA	
B	PE060007	J-MOLD (1" RADIUS)	1	EA	
Not Shown	PE060020	J-MOLD (VGSO OVN DOOR) *BR*	1	EA	
C	PE030001	BRACKET, DOOR, HANDLE	1	EA	
Not Shown	PE030001PVD	END CAP DOOR HANDLE *BR	1	EA	
D	PE030005	DOOR HANDLE - VGSC30/RC60/RC48RH	1	EA	
Not Shown	PE030012	HANDLE - BR	1	EA	
E	A2001447	OUTER DOOR GLASS RETAINER	1	EA	
F	A1001381	DOOR HEAT BAFFLE (VGSC/VGSS)	1	EA	
G	PB070034	Insulation	1	EA	
H	A2001480	INNER DOOR GLASS RETAINER	1	EA	
J	PE060008	GLASS REPL PE060009	1	EA	
K	PB070014	DOOR GLASS SEAL STRIP - WINDOW DRS.	1	EA	
L	H9101928	OVEN DR LINER ASSY (30)W/WD (MC)	1	EA	
Not Shown	H9101929	OVEN DR LINER ASSY (SS/SC)N/W MC	1	EA	
M	A2001718	DOOR INSUL RETAINER (VGSC/SS) W/W	1	EA	NO LONGER AVAILABLE
Not Shown	A2001719	DOOR INSUL RETAINER (VGSC/SS) N/W	1	EA	NO LONGER AVAILABLE
N	PE060018	OVEN GLASS-TEMPERED,SCREENED*BK*	1	EA	
O	H3001720	O/S DR PNL *SS* (SC/SS) W/W	1	EA	
Not Shown	H9001721AL	O/S DOOR PANEL ASSY *AL* (SC/SS) W/	1	EA	

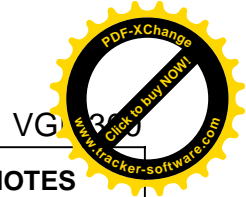
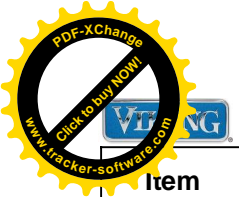




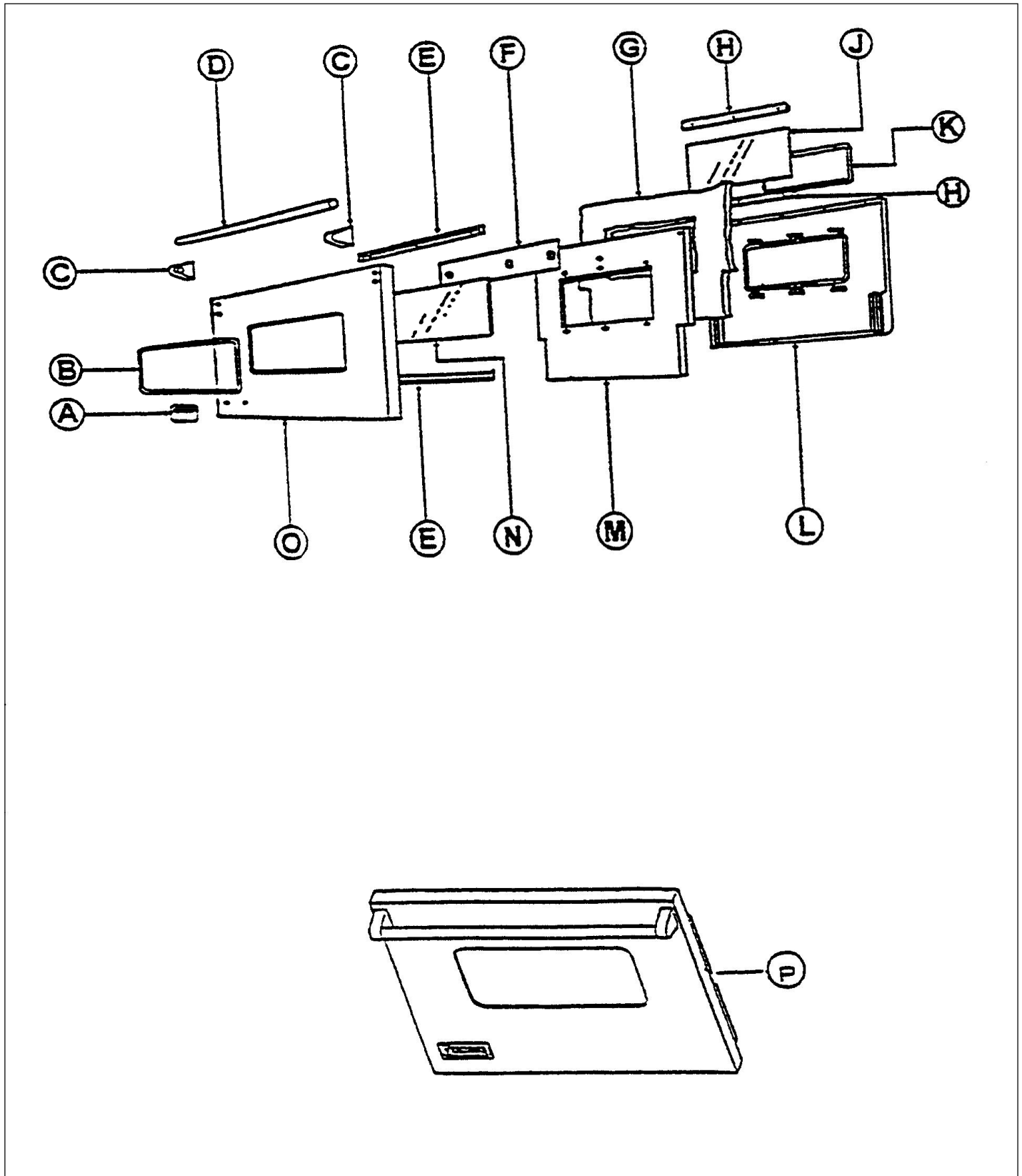


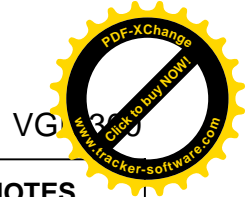
Item	Part No.	Name	Qty	Uom	NOTES
Not Shown	H9001721BK	O/S DOOR PANEL ASSY *BK* (SC/SS) W/	1	EA	
Not Shown	H9001721BU	O/S DOOR PANEL ASSY *BU* (SC/SS) W/	1	EA	NO LONGER AVAILABLE
Not Shown	H9001721FG	O/S DOOR PANEL ASSY *FG* (SC/SS) W/	1	EA	NO LONGER AVAILABLE
Not Shown	H9001721PL	O/S DOOR PANEL ASSY *PL* (SC/SS) W/	1	EA	NO LONGER AVAILABLE
Not Shown	H9001721VB	O/S DOOR PANEL ASSY *VB* (SC/SS) W/	1	EA	NO LONGER AVAILABLE
Not Shown	H9001721WH	O/S DR PNL ASSY *WH SC/SS W/W	1	EA	
Not Shown	B2001722	O/S DOOR PANEL *SS* (VGSC/SS) NW	1	EA	NO LONGER AVAILABLE
Not Shown	H9001723AL	O/S DOOR PANEL W/O WINDOW - AL	1	EA	
Not Shown	H9001723BK	O/S DOOR PANEL W/O WINDOW - BK	1	EA	
Not Shown	H9001723BU	O/S DOOR PANEL W/O WINDOW - BU	1	EA	
Not Shown	H9001723FG	O/S DOOR PANEL W/O WINDOW - FG	1	EA	
Not Shown	H9001723PL	O/S DOOR PANEL W/O WINDOW - PL	1	EA	
Not Shown	H9001723VB	O/S DOOR PANEL W/O WINDOW - VB	1	EA	
Not Shown	H9001723WH	O/S DOOR PANEL W/O WINDOW - WH	1	EA	
P	G3201925AL	DOOR ASSY*AL*	1	EA	NO LONGER AVAILABLE
Not Shown	G3201925ALBR	DOOR ASSY*AL*	1	EA	NO LONGER AVAILABLE
Not Shown	G3201925BK	DOOR ASSY*BK*	1	EA	NO LONGER AVAILABLE
Not Shown	G3201925BKBR	DOOR ASSY*BK*	1	EA	NO LONGER AVAILABLE
Not Shown	G3201925BU	DOOR ASSY*BU*	1	EA	
Not Shown	G3201925BUBR	DOOR ASSEMBLY W/ WINDOW - BUBR	1	EA	
Not Shown	G3201925FG	DOOR ASSY *FG* (SS/SC) W/W	1	EA	NO LONGER AVAILABLE
Not Shown	G3201925FGBR	DOOR ASSY*FG*	1	EA	NO LONGER AVAILABLE





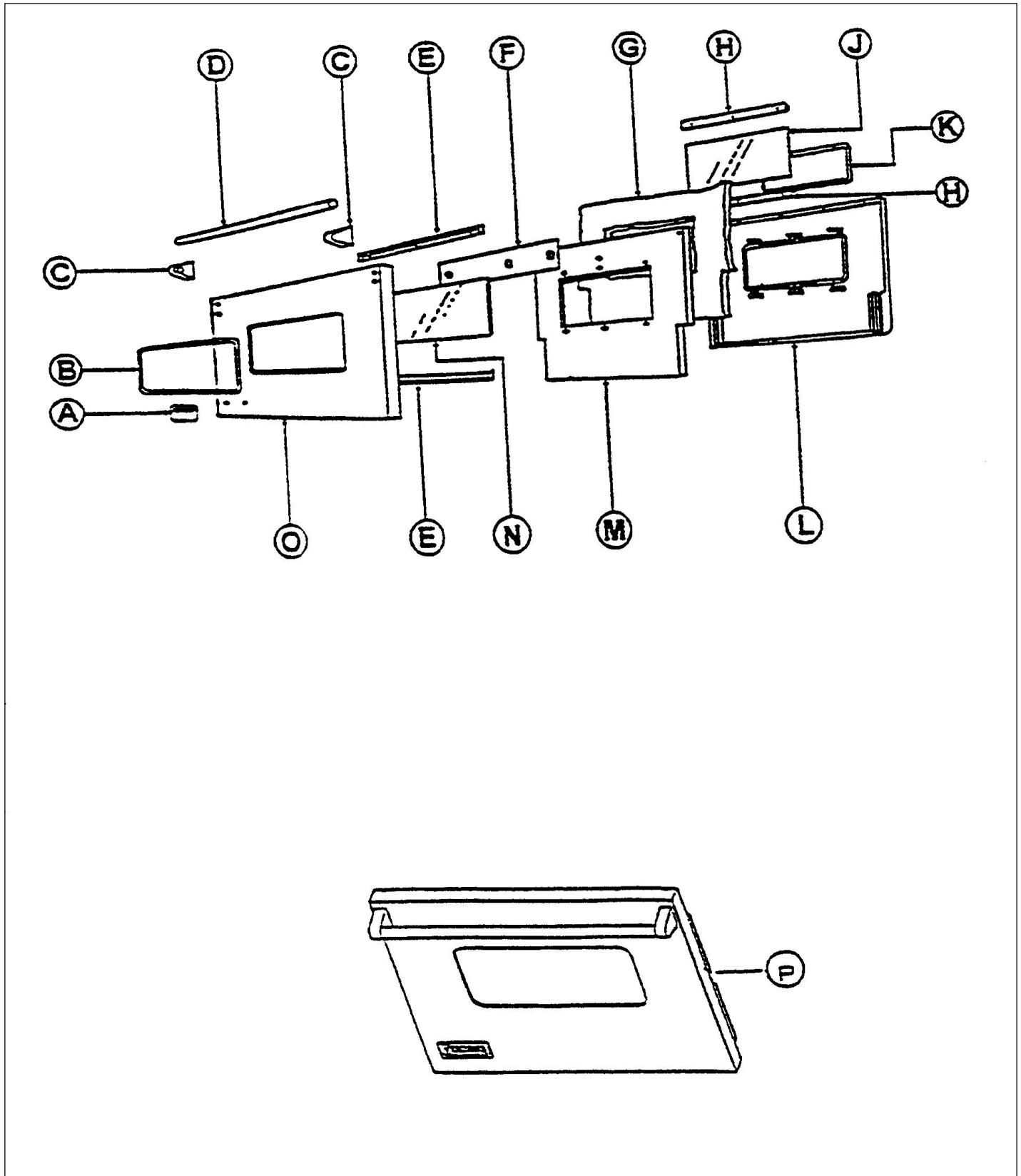
Item	Part No.	Name	Qty	Uom	NOTES
Not Shown	G3201925PL	DOOR ASSY*PL*	1	EA	NO LONGER AVAILABLE
Not Shown	G3201925PLBR	DOOR ASSY*PL*	1	EA	NO LONGER AVAILABLE
Not Shown	G3201925SS	DOOR ASSY *SS* (SS/SC) W/W	1	EA	NO LONGER AVAILABLE
Not Shown	G3201925SSBR	DOOR ASSEMBLY W/ WINDOW - SSBR	1	EA	
Not Shown	G3201925VB	DOOR ASSY*VB* (SS/SC) W/W	1	EA	NO LONGER AVAILABLE
Not Shown	G3201925VBBR	DOOR ASSY*VB*	1	EA	NO LONGER AVAILABLE
Not Shown	G3201925WH	DOOR ASSY*WH*	1	EA	
Not Shown	G3201925WHBR	DOOR ASSY*WH*	1	EA	
NI	G3201927AL	DOOR ASSY*AL* (SS/SC) N/W	1	EA	NO LONGER AVAILABLE
Not Shown	G3201927ALBR	DOOR ASSY*AL*	1	EA	NO LONGER AVAILABLE
Not Shown	G3201927BK	DOOR ASSY*BK* (SS/SC) N/W	1	EA	NO LONGER AVAILABLE
Not Shown	G3201927BKBR	DOOR ASSY*BK*	1	EA	NO LONGER AVAILABLE
Not Shown	G3201927BU	DOOR ASSY*BU* (SS/SC) N/W	1	EA	NO LONGER AVAILABLE
Not Shown	G3201927BUBR	DOOR ASSY*BU*	1	EA	NO LONGER AVAILABLE
Not Shown	G3201927FG	DOOR ASSY*FG* (SS/SC) N/W	1	EA	NO LONGER AVAILABLE
Not Shown	G3201927FGBR	DOOR ASSY*FG*	1	EA	NO LONGER AVAILABLE
Not Shown	G3201927PL	DOOR ASSY*PL* (SS/SC) N/W	1	EA	NO LONGER AVAILABLE
Not Shown	G3201927PLBR	DOOR ASSY*PL*	1	EA	NO LONGER AVAILABLE
Not Shown	G3201927SS	DOOR ASSY*SS* (SS/SC) N/W	1	EA	NO LONGER AVAILABLE
Not Shown	G3201927SSBR	DOOR ASSY *SS**BR* (SS/SC) N/W	1	EA	NO LONGER AVAILABLE
Not Shown	G3201927VB	DOOR ASSY *VB* (SS/SC) N/W	1	EA	NO LONGER AVAILABLE
Not Shown	G3201927VBBR	DOOR ASSY*VB*	1	EA	NO LONGER AVAILABLE

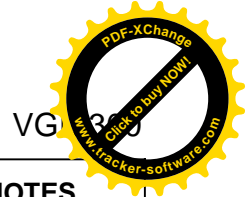




Item	Part No.	Name	Qty	Uom	NOTES
Not Shown	G3201927WH	DOOR ASSY*WH* (SS/SC) N/W	1	EA	NO LONGER AVAILABLE
Not Shown	G3201927WHBR	DOOR ASSY*WH*	1	EA	NO LONGER AVAILABLE

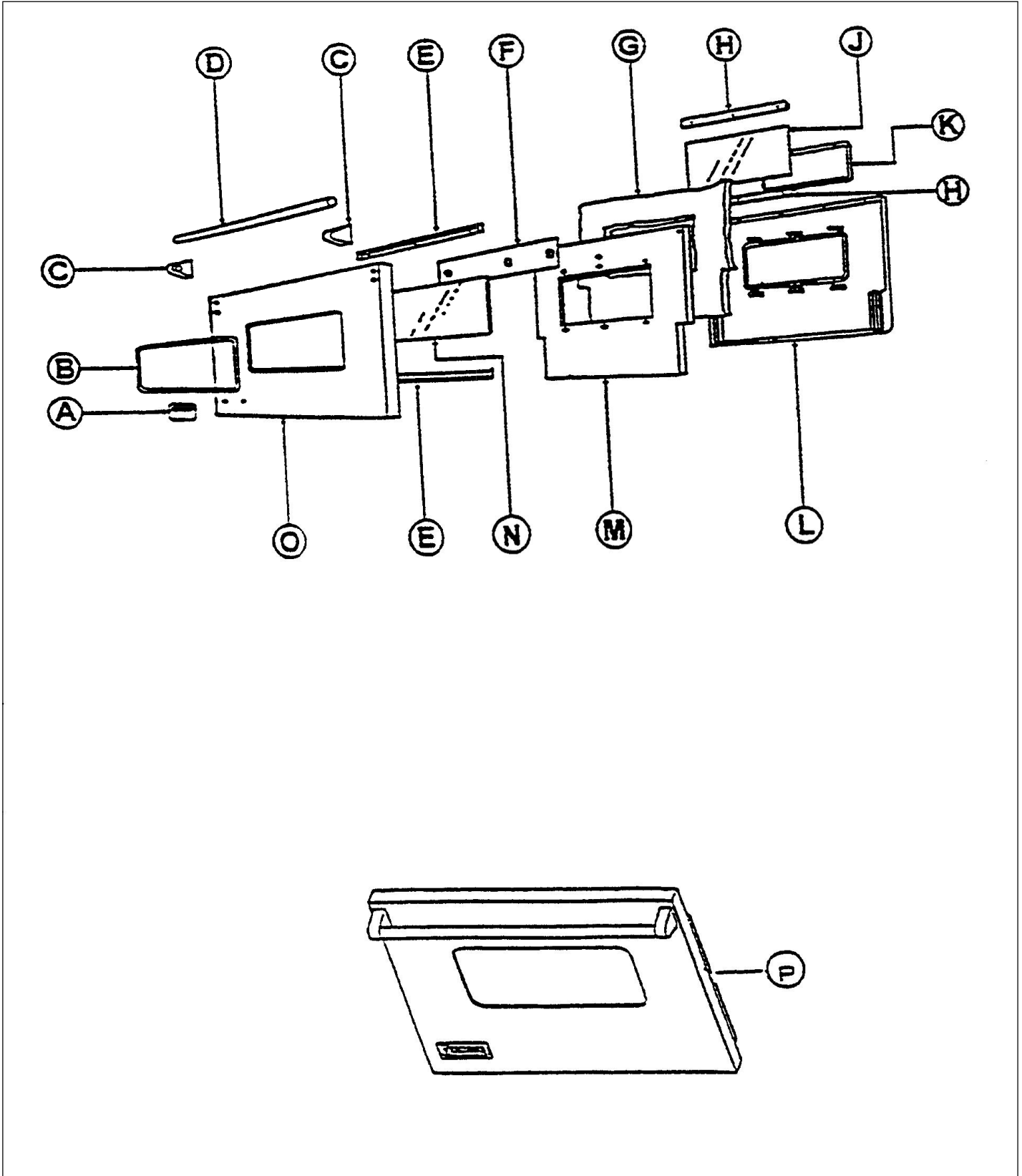
OR BEFORE 2-94

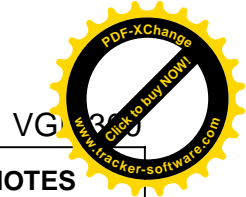




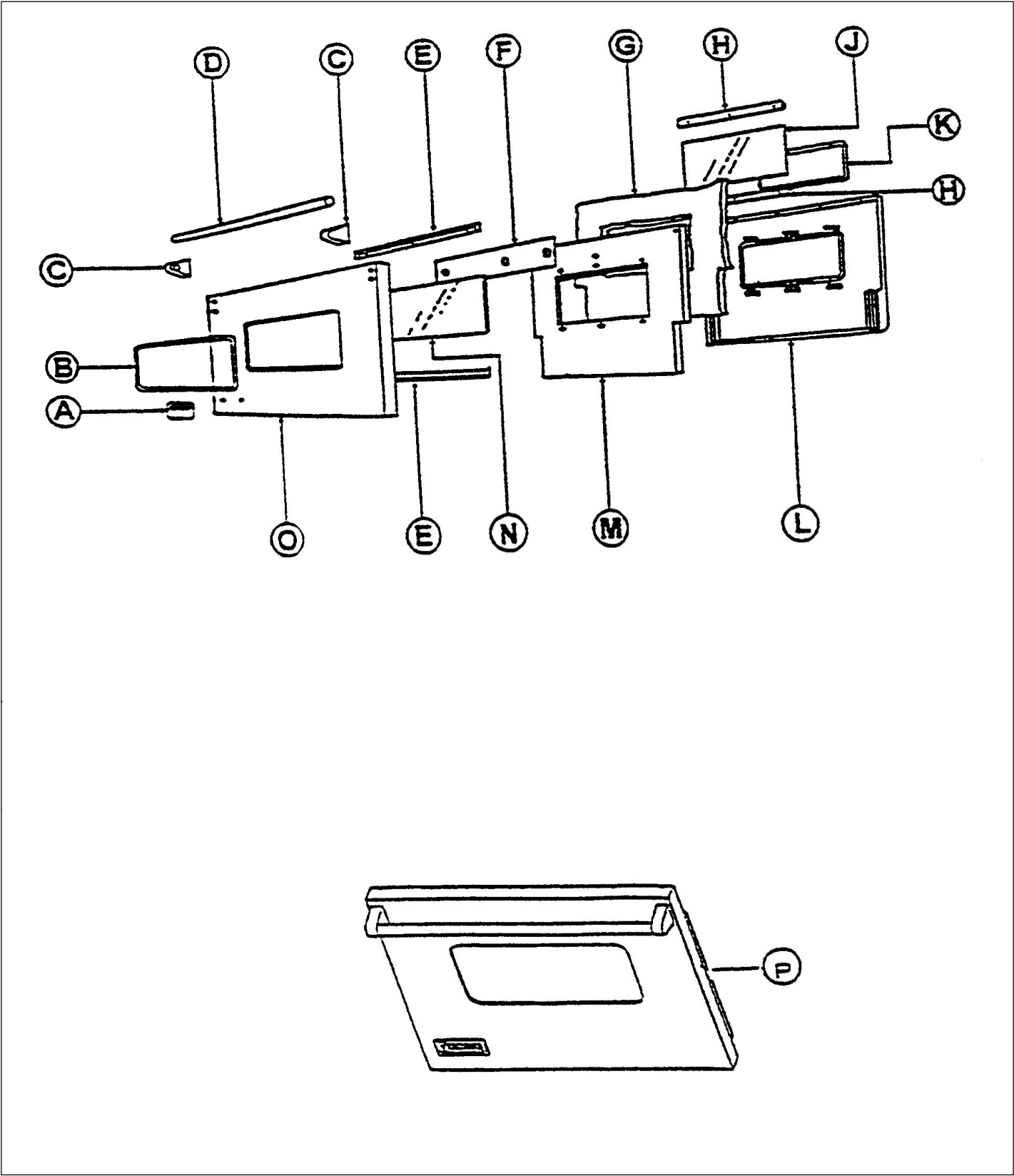
Item	Part No.	Name	Qty	Uom	NOTES
A	PE010016	LOGO BK/CHR 4.5 X 1.875	1	EA	
Not Shown	PE010017	LOGO (VGSO,VEDO,VGDO,VUD) *WH/CHR	1	EA	
B	PE060007	J-MOLD (1" RADIUS)	1	EA	
C	PE030001	BRACKET, DOOR, HANDLE	1	EA	
D	PE030005	DOOR HANDLE - VGSC30/RC60/RC48RH	1	EA	
E	A2001447	OUTER DOOR GLASS RETAINER	1	EA	
F	A1001381	DOOR HEAT BAFFLE (VGSC/VGSS)	1	EA	
G	PB070034	Insulation	1	EA	
H	A2001480	INNER DOOR GLASS RETAINER	1	EA	
J	PE060008	GLASS REPL PE060009	1	EA	
K	PB070014	DOOR GLASS SEAL STRIP - WINDOW DRS.	1	EA	
L	H9101714	OVEN DR LINER ASSY (VGSC/SS) W/W	1	EA	
Not Shown	H9101715	OVEN DR LINER ASSY (VGSC/SS) N/W	1	EA	NO LONGER AVAILABLE
M	A2001718	DOOR INSUL RETAINER (VGSC/SS) W/W	1	EA	NO LONGER AVAILABLE
Not Shown	A2001719	DOOR INSUL RETAINER (VGSC/SS) N/W	1	EA	NO LONGER AVAILABLE
N	PE060009	SUB TO PE060008 - GLASS	1	EA	NO LONGER AVAILABLE
O	H3001720	O/S DR PNL *SS* (SC/SS) W/W	1	EA	
Not Shown	H9001721AL	O/S DOOR PANEL ASSY *AL* (SC/SS) W/	1	EA	
Not Shown	H9001721BK	O/S DOOR PANEL ASSY *BK* (SC/SS) W/	1	EA	
Not Shown	H9001721BU	O/S DOOR PANEL ASSY *BU* (SC/SS) W/	1	EA	NO LONGER AVAILABLE
Not Shown	H9001721FG	O/S DOOR PANEL ASSY *FG* (SC/SS) W/	1	EA	NO LONGER AVAILABLE
Not Shown	H9001721PL	O/S DOOR PANEL ASSY *PL* (SC/SS) W/	1	EA	NO LONGER AVAILABLE
Not Shown	H9001721VB	O/S DOOR PANEL ASSY *VB* (SC/SS) W/	1	EA	NO LONGER AVAILABLE

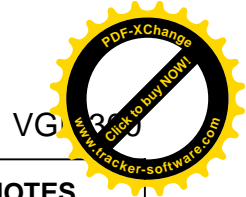




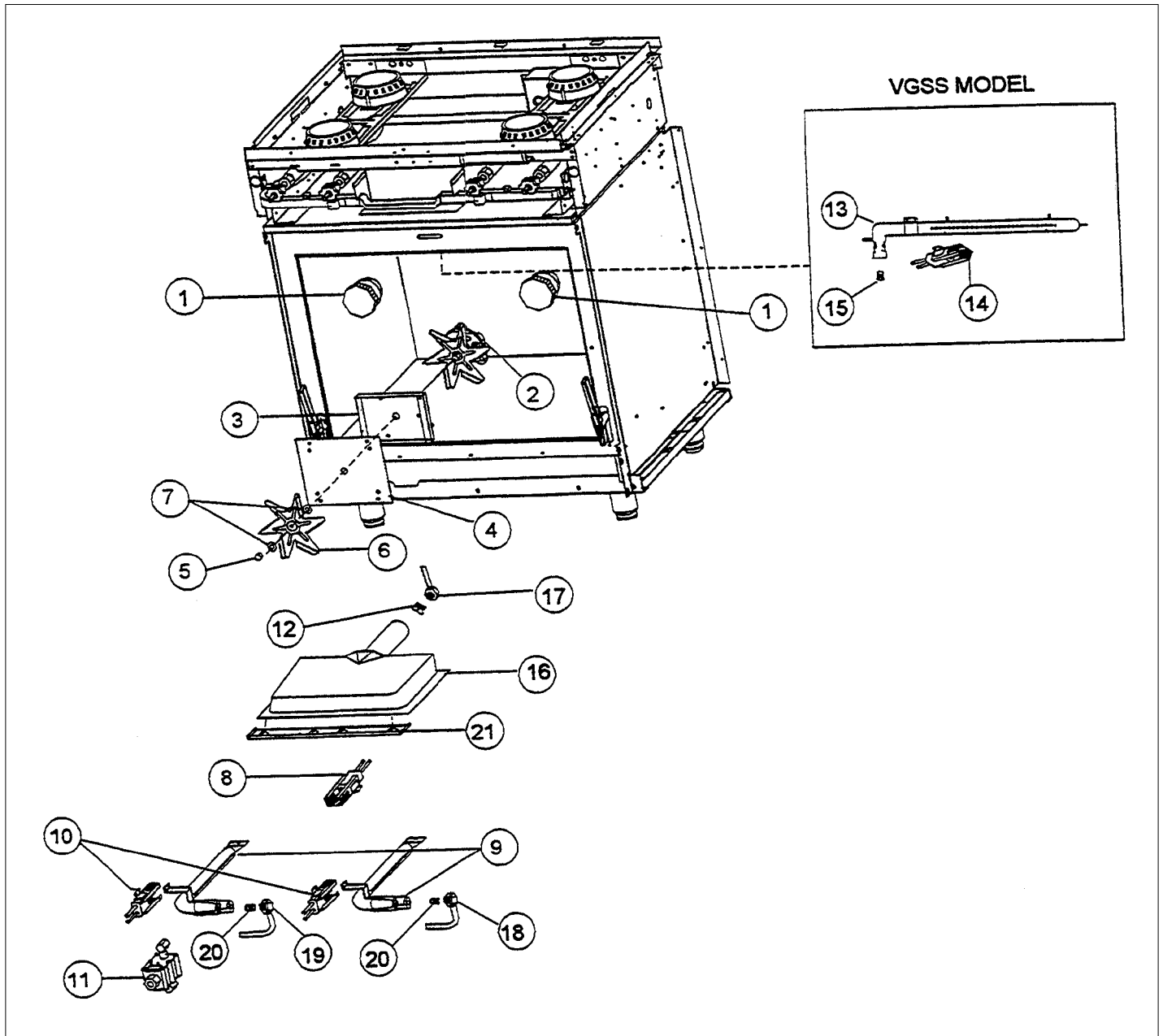


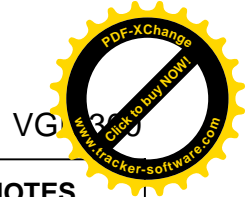
Item	Part No.	Name	Qty	Uom	NOTES
Not Shown	H9001721WH	O/S DR PNL ASSY *WH SC/SS W/W	1	EA	
Not Shown	B2001722	O/S DOOR PANEL *SS* (VGSC/SS) N/W	1	EA	NO LONGER AVAILABLE
Not Shown	C9001723AL	O/S DOOR PANEL *SS* (VGSC/SS) N/W	1	EA	NO LONGER AVAILABLE
Not Shown	C9001723BK	O/S DOOR PANEL *BK* (VGSC/SS) N/W	1	EA	NO LONGER AVAILABLE
Not Shown	C9001723BU	O/S DOOR PANEL *BU* (VGSC/SS) N/W	1	EA	NO LONGER AVAILABLE
Not Shown	C9001723FG	O/S DOOR PANEL *FG* (VGSC/SS) N/W	1	EA	NO LONGER AVAILABLE
Not Shown	C9001723PL	O/S DOOR PANEL *PL* (VGSC/SS) N/W	1	EA	NO LONGER AVAILABLE
Not Shown	C9001723VB	O/S DOOR PANEL *VB* (VGSC/SS) N/W	1	EA	NO LONGER AVAILABLE
Not Shown	C9001723WC	O/S DOOR PANEL W/O WINDOW - WH	1	EA	
P	G3201711AL	OVEN DR ASSY *AL* (VGSC/SS) W/W	1	EA	NO LONGER AVAILABLE
Not Shown	G3201711BK	OVEN DR ASSY *BK* (VGSC/SS) W/W	1	EA	NO LONGER AVAILABLE
Not Shown	G3201711BU	OVEN DR ASSY *BU* (VGSC/SS) W/W	1	EA	NO LONGER AVAILABLE
Not Shown	G3201711FG	OVEN DR ASSY *FG* (VGSC/SS) W/W	1	EA	NO LONGER AVAILABLE
Not Shown	G3201711PL	OVEN DR ASSY *PL* (VGSC/SS) W/W	1	EA	NO LONGER AVAILABLE
Not Shown	G3201711SS	OVEN DOOR ASSY (VGSC/SS) W/W/DW (SS)	1	EA	NO LONGER AVAILABLE
Not Shown	G3201711VB	OVEN DR ASSY *VB* (VGSC/SS) W/W	1	EA	NO LONGER AVAILABLE
Not Shown	G3201711WH	OVEN DR ASSY *WH* (VGSC/SS) W/W	1	EA	NO LONGER AVAILABLE
Not Shown	G3201713AL	OVEN DR ASSY *AL* (VGSC/SS) N/W	1	EA	NO LONGER AVAILABLE
Not Shown	G3201713BK	OVEN DR ASSY *BK* (VGSC/SS) N/W	1	EA	NO LONGER AVAILABLE
Not Shown	G3201713BU	OVEN DR ASSY *BU* (VGSC/SS) N/W	1	EA	NO LONGER AVAILABLE
Not Shown	G3201713FG	OVEN DR ASSY *FG* (VGSC/SS) N/W	1	EA	NO LONGER AVAILABLE
Not Shown	G3201713PL	OVEN DR ASSY *PL* (VGSC/SS) N/W	1	EA	NO LONGER AVAILABLE



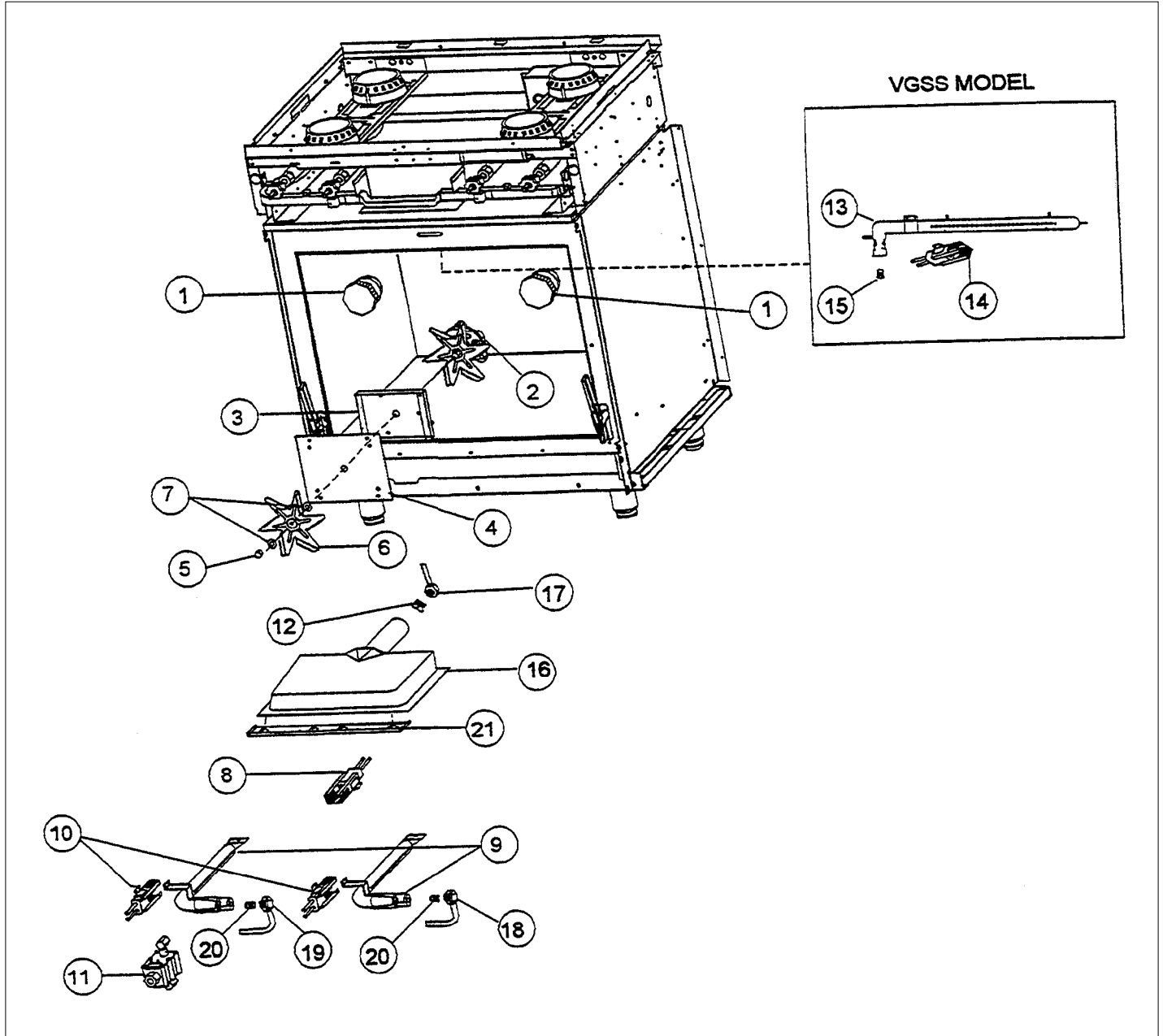


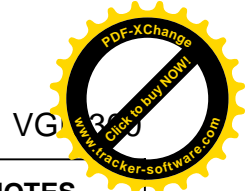
Item	Part No.	Name	Qty	Uom	NOTES
Not Shown	G3201712SS	DOOR ASSEMBLY W/O WINDOW - SS	1	EA	
Not Shown	G3201713VB	OVEN DR ASSY *VB* (VGSC/SS) N/W	1	EA	NO LONGER AVAILABLE
Not Shown	G3201713WH	OVEN DR ASSY *WH* (VGSC/SS) N/W	1	EA	NO LONGER AVAILABLE





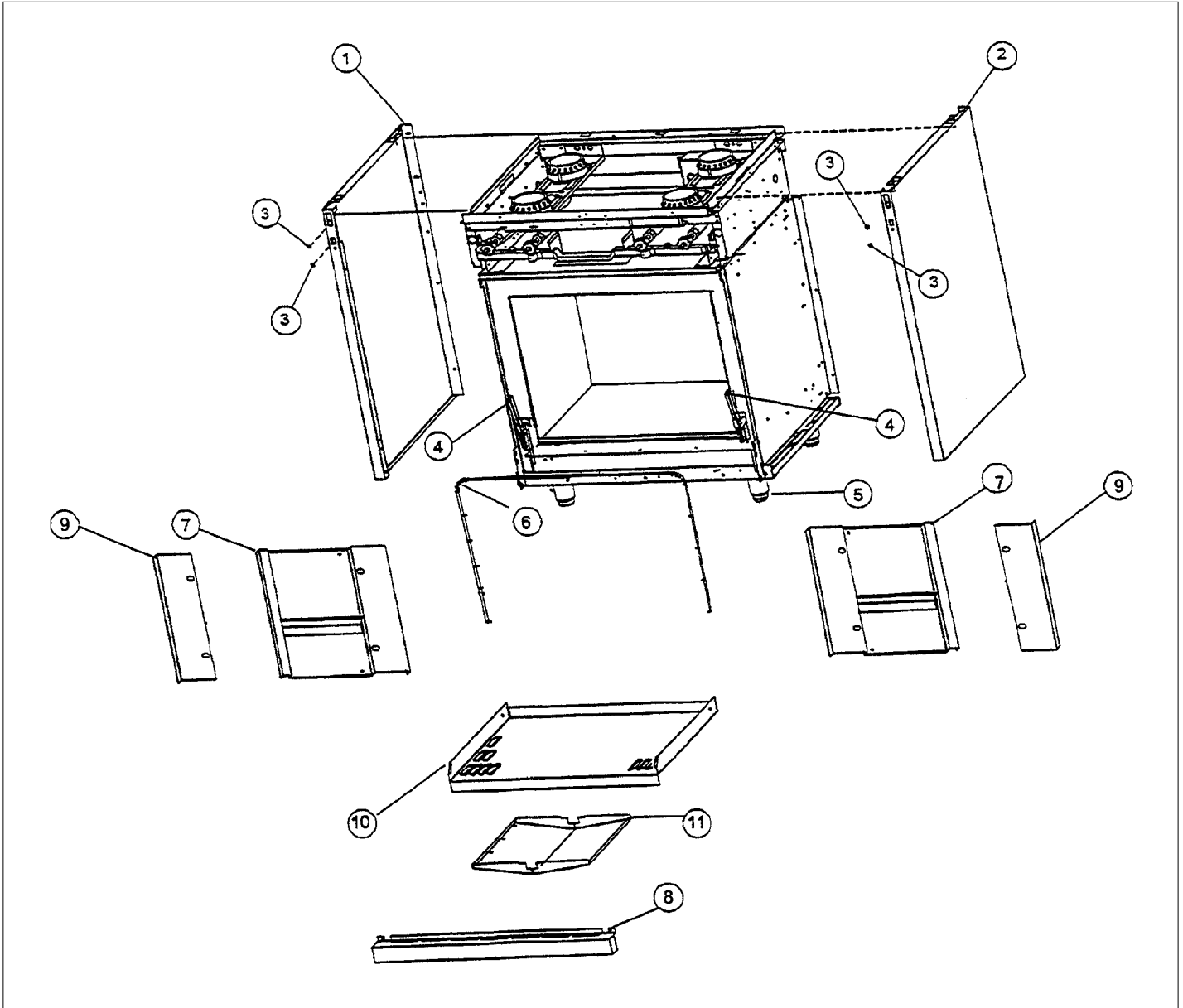
Item	Part No.	Name	Qty	Uom	NOTES
1	PE050009	OVEN LIGHT SOCKET - 36" BUILT-IN	1	EA	
2	PE050005	CONVECTION FAN ASSY	1	EA	
3	A2002595	CONVECTION FAN BOX (VDSC)	1	EA	
4	A1002596	CONVECTION FAN COVER (VDSC)	1	EA	
5	PD030035	CONVECTION FAN NUT	1	EA	
6	PE050035	CONVECTION FAN BLADE	1	EA	
7	PD040030	CONVECTION FAN WASHER	1	EA	
8	PB040001	Igniter	1	EA	
9	PB050012	OVEN BURNER REPL PB050009	1	EA	
10	PB040001	Igniter	1	EA	
11	PB010084	DUAL THERMAL BI-MTL GAS CTRL VALVE	1	EA	
12	PB040040	ORIFICE-IR BURNER (VGSC)	1	EA	
Not Shown	PB040027	IR BUR.SPUD ORF. - NO.56 LP	1	EA	
13	PB050011	BROIL BURNER (VGSS)	1	EA	NO LONGER AVAILABLE
14	PB040001	Igniter	1	EA	
Not Shown	PB040034	ORIFICE HOOD-#50 (NAT)	1	EA	
Not Shown	PB040036	ORIFICE HOOD-#57 (LP)	1	EA	
16	G3001876	IR BURNER ASSY (VGSC/RC) N/S	1	EA	
17	PB020034	SUB TO PB020061 - TUBING-IR BURNER (VGSC)	1	EA	NO LONGER AVAILABLE
NI	PD030018	PALNUT - 3/4-16	1	EA	
18	PB020023	BAKE BURNER TUBE RH OVEN	1	EA	
19	PB020022	BAKE BURNER TUBE LH OVEN	1	EA	
20	PB040034	ORIFICE HOOD-#50 (NAT)	1	EA	
Not Shown	PB040036	ORIFICE HOOD-#57 (LP)	1	EA	
21	B2001448	IR BROIL SUPT (FRONT)	1	EA	
Not Shown	B2002261	I/R BURNER SUPPORT - REAR	1	EA	

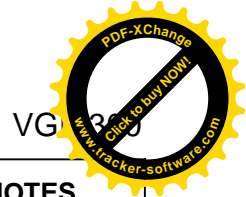




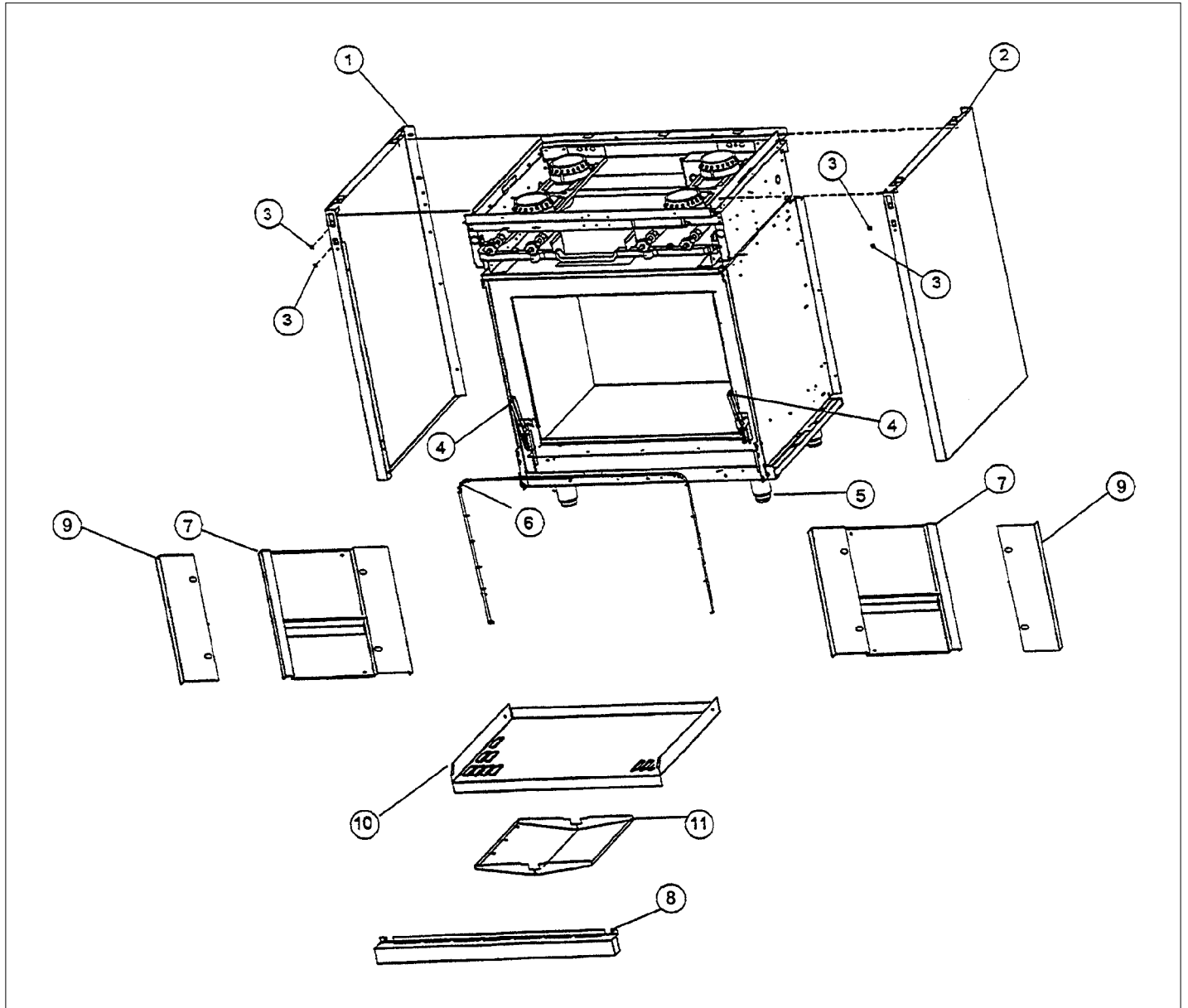
Item	Part No.	Name	Qty	Uom	NOTES
NI	E9101452	FLAME SPREADER 30" (VGSS)	1	EA	NOT FIELD REPLACEABLE
NI	PB020028	OVEN TUBING (MANIFOLD TO VALVE)	1	EA	

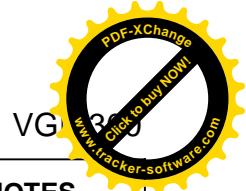




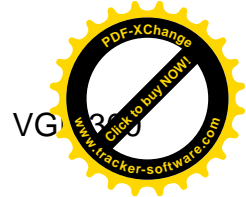
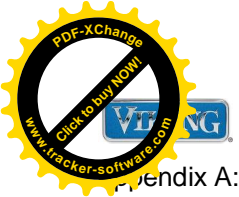


Item	Part No.	Name	Qty	Uom	NOTES
1	B2001922	SIDE PANEL - SS (LH)	1	EA	
Not Shown	C9001922AL	SUB TO C9002598AL - BODY PNL LH AL	1	EA	NO LONGER AVAILABLE
Not Shown	C9001922BK	SUB TO C9002598BK - BODY PNL LH BK	1	EA	NO LONGER AVAILABLE
Not Shown	C9001922BU	SUB TO C9002598BU - BODY PNL LH BU	1	EA	NO LONGER AVAILABLE
Not Shown	C9001922FG	SUB TO C9002598FG - BODY PNL LH FG	1	EA	NO LONGER AVAILABLE
Not Shown	C9001922PL	SUB TO C9002598PL - BODY PNL LH PL	1	EA	NO LONGER AVAILABLE
Not Shown	C9001922VB	SUB TO C9002598VB - BODY PNL LH VB	1	EA	NO LONGER AVAILABLE
Not Shown	C9001922WH	SIDE PANEL - WH (LH)	1	EA	
2	B2001921	SUB TO B2002597 - RH SIDE PANEL	1	EA	NO LONGER AVAILABLE
Not Shown	C9001921AL	O/S BODY PANEL RH *AL* 30"	1	EA	NO LONGER AVAILABLE
Not Shown	C9001921BK	SUB TO C9002597BK - BODY PNL RH	1	EA	NO LONGER AVAILABLE
Not Shown	C9001921BU	SIDE PANEL - BU (RH)	1	EA	
Not Shown	C9001921FG	SUB TO C9002597FG - BODY PNL RHFG 30"	1	EA	NO LONGER AVAILABLE
Not Shown	C9001921PL	SUB TO C9002597PL - BODY PNL RH PL 30"	1	EA	NO LONGER AVAILABLE
Not Shown	C9001921VB	SUB TO C9002597VB - BODY PNL RH VB 30"	1	EA	NO LONGER AVAILABLE
Not Shown	C9001921WH	SIDE PANEL - WH (RH)	1	EA	
3	PD030005	SELF RETAINING NUT	1	EA	
4	PC020007	HINGE ASSY (NO COLOR)	1	EA	
5	PC030017	4" LEG ASSY	1	EA	
6	PB070030	OVEN DR GASKET-30" & 36"	1	EA	
7	E9101374	I/S OVEN LINER (VGSC/VGSS)	1	EA	
8	B2001815	LOWER ACC PAN - (VGRC605)	1	EA	
Not Shown	C9001815AL	LOWER ACC PAN - *AL* (VGRC605)	1	EA	
Not Shown	C9001815BK	LOWER ACC PAN - *BK* (VGRC605)	1	EA	



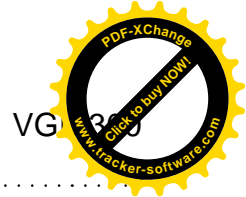
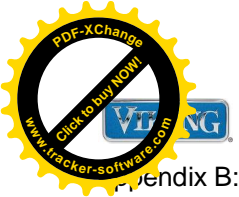


Item	Part No.	Name	Qty	Uom	NOTES
Not Shown	C9001815BU	LOWER ACC PAN - *BU* (VGRC605)	1	EA	
Not Shown	C9001815FG	LOWER ACC PAN - *FG* (VGRC605)	1	EA	NO LONGER AVAILABLE
Not Shown	C9001815PL	LOWER ACC PAN - *PL* (VGRC605)	1	EA	NO LONGER AVAILABLE
Not Shown	C9001815VB	LOWER ACC PAN - *VB* (VGRC605)	1	EA	NO LONGER AVAILABLE
Not Shown	C9001815WH	LOWER ACC PAN - *WH* (VGRC605)	1	EA	
9	E9101355	OVEN LINER HINGE COVER (VGSC/VGSS)	1	EA	NO LONGER AVAILABLE
10	G3204251	OVEN BOTTOM ASSY - RH OVEN, 48"	1	EA	
11	A2002269	DO NOT ORDER, ORDER FULL ASSEMBLY	1	EA	
Comments for Part Num. A2002269					
gboltz@VikingRange.com on Aug 9, 2016					
DO NOT ORDER JUST HEAT SHIELD ORDER BTM OVEN PANEL ASSY ONLY					
NI	G3202341	BACKGUARD FRONT ASSY (VGSC/SS)	1	EA	NO LONGER AVAILABLE



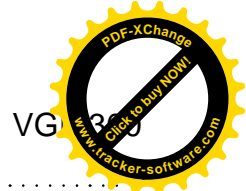
Appendix A: Pages Index

BURNER BOX EXTERIOR ASSY .....	1
BURNER BOX SUBASSEMBLY .....	2
CONTROL-RACK ASSY .....	3
DOOR AFTER 2-94 .....	4
DOOR BEFORE 2-94 .....	5
GAS - ELECTRICAL .....	6
PANEL-OVEN ASSY .....	7

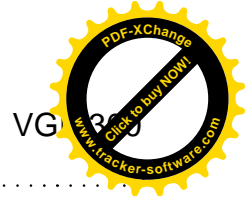


Appendix B: Parts Index

003519-000	2	C9001815WH	7
A1001138	2	C9001921AL	7
A1001381	4, 5	C9001921BK	7
A1002596	6	C9001921BU	7
A2001112	2	C9001921FG	7
A2001147	2	C9001921PL	7
A2001259	3	C9001921VB	7
A2001404	2	C9001921WH	7
A2001432	2	C9001922AL	7
A2001447	4, 5	C9001922BK	7
A2001456	2	C9001922BU	7
A2001480	4, 5	C9001922FG	7
A2001718	4, 5	C9001922PL	7
A2001719	4, 5	C9001922VB	7
A2002269	7	C9001922WH	7
A2002364	2	C9301840PVD	1
A2002595	6	C9302345BR	1
B2001448	6	C9302346BR	1
B2001722	4, 5	E9101355	7
B2001815	7	E9101374	7
B2001840	1	E9101408AL	1
B2001921	7	E9101408BK	1
B2001922	7	E9101408FG	1
B2002261	6	E9101408PL	1
B2002345	1	E9101408VB	1
B2002346	1	E9101408WH	1
B9201948	3	E9101452	6
C9001723AL	5	G3001406	3
C9001723BK	5	G3001876	6
C9001723BU	5	G3101427	1
C9001723FG	5	G3201711AL	5
C9001723PL	5	G3201711BK	5
C9001723VB	5	G3201711BU	5
C9001723WC	5	G3201711FG	5
C9001815AL	7	G3201711PL	5
C9001815BK	7	G3201711SS	5
C9001815BU	7	G3201711VB	5
C9001815FG	7	G3201711WH	5
C9001815PL	7	G3201712SS	5
C9001815VB	7	G3201713AL	5
		G3201713BK	5



G3201713BU .....	5	G50013584AL .....	1
G3201713FG .....	5	G50013584BK .....	1
G3201713PL .....	5	G50013584FG .....	1
G3201713VB .....	5	G50013584PL .....	1
G3201713WH .....	5	G50013584VB .....	1
G3201925AL .....	4	G50013584WH .....	1
G3201925ALBR .....	4	H3001720 .....	4, 5
G3201925BK .....	4	H9001721AL .....	4, 5
G3201925BKBR .....	4	H9001721BK .....	4, 5
G3201925BU .....	4	H9001721BU .....	4, 5
G3201925BUBR .....	4	H9001721FG .....	4, 5
G3201925FG .....	4	H9001721PL .....	4, 5
G3201925FGBR .....	4	H9001721VB .....	4, 5
G3201925PL .....	4	H9001721WH .....	4, 5
G3201925PLBR .....	4	H9001723AL .....	4
G3201925SS .....	4	H9001723BK .....	4
G3201925SSBR .....	4	H9001723BU .....	4
G3201925VB .....	4	H9001723FG .....	4
G3201925VBBR .....	4	H9001723PL .....	4
G3201925WH .....	4	H9001723VB .....	4
G3201925WHBR .....	4	H9001723WH .....	4
G3201927AL .....	4	H9101714 .....	5
G3201927ALBR .....	4	H9101715 .....	5
G3201927BK .....	4	H9101928 .....	4
G3201927BKBR .....	4	H9101929 .....	4
G3201927BU .....	4	PA010034 .....	3
G3201927BUBR .....	4	PA010035 .....	3
G3201927FG .....	4	PA020014 .....	2
G3201927FGBR .....	4	PA020015 .....	2
G3201927PL .....	4	PA020016 .....	2
G3201927PLBR .....	4	PA020029 .....	2
G3201927SS .....	4	PA020045 .....	2
G3201927SSBR .....	4	PA030002AL .....	1
G3201927VB .....	4	PA030002BK .....	1
G3201927VBBR .....	4	PA030002FG .....	1
G3201927WH .....	4	PA030002PL .....	1
G3201927WHBR .....	4	PA030002VB .....	1
G3202341 .....	7	PA030002WH .....	1
G3204251 .....	7	PA050113 .....	2
G4001587 .....	2	PA060037 .....	1
G4001593 .....	2	PA060038 .....	1



Jr0001	2	PD010017	
PA080015	1	PD030005	1, 7
PA080016	1	PD030010	1
PA080036	2	PD030012	1
PA080037	2	PD030018	6
PB010034	2	PD030035	6
PB010036	3	PD030050	3
PB010083	2	PD040004	1
PB010084	6	PD040005	2
PB010091	3	PD040030	6
PB010092	3	PE010016	4, 5
PB010099	3	PE010017	4, 5
PB010100	3	PE010079	4
PB010206	3	PE010080	4
PB010207	3	PE010081	3
PB010208	3	PE010082	3
PB010209	3	PE030001	4, 5
PB020022	6	PE030001PVD	4
PB020023	6	PE030005	4, 5
PB020028	6	PE030012	4
PB020034	6	PE050001	2
PB020038	2	PE050005	6
PB030007	2	PE050006	3
PB040001	6, 6, 6	PE050009	6
PB040027	6	PE050015	3
PB040034	2, 6, 6	PE050016	3
PB040036	2, 6, 6	PE050017	3
PB040040	6	PE050023	3
PB050011	6	PE050024	3
PB050012	6	PE050035	6
PB060011	3	PE060007	4, 5
PB060018	3	PE060008	4, 5
PB070014	4, 5	PE060009	5
PB070030	7	PE060018	4
PB070034	4, 5	PE060020	4
PB080002	3	PE070068	2
PB080003	3	PE070070	2
PC020007	7	PE070071	2
PC030017	7	PE070128	2
PD010003	1	PK000007	2
PD010012	2	PK000008	2