

# G 680 SC I

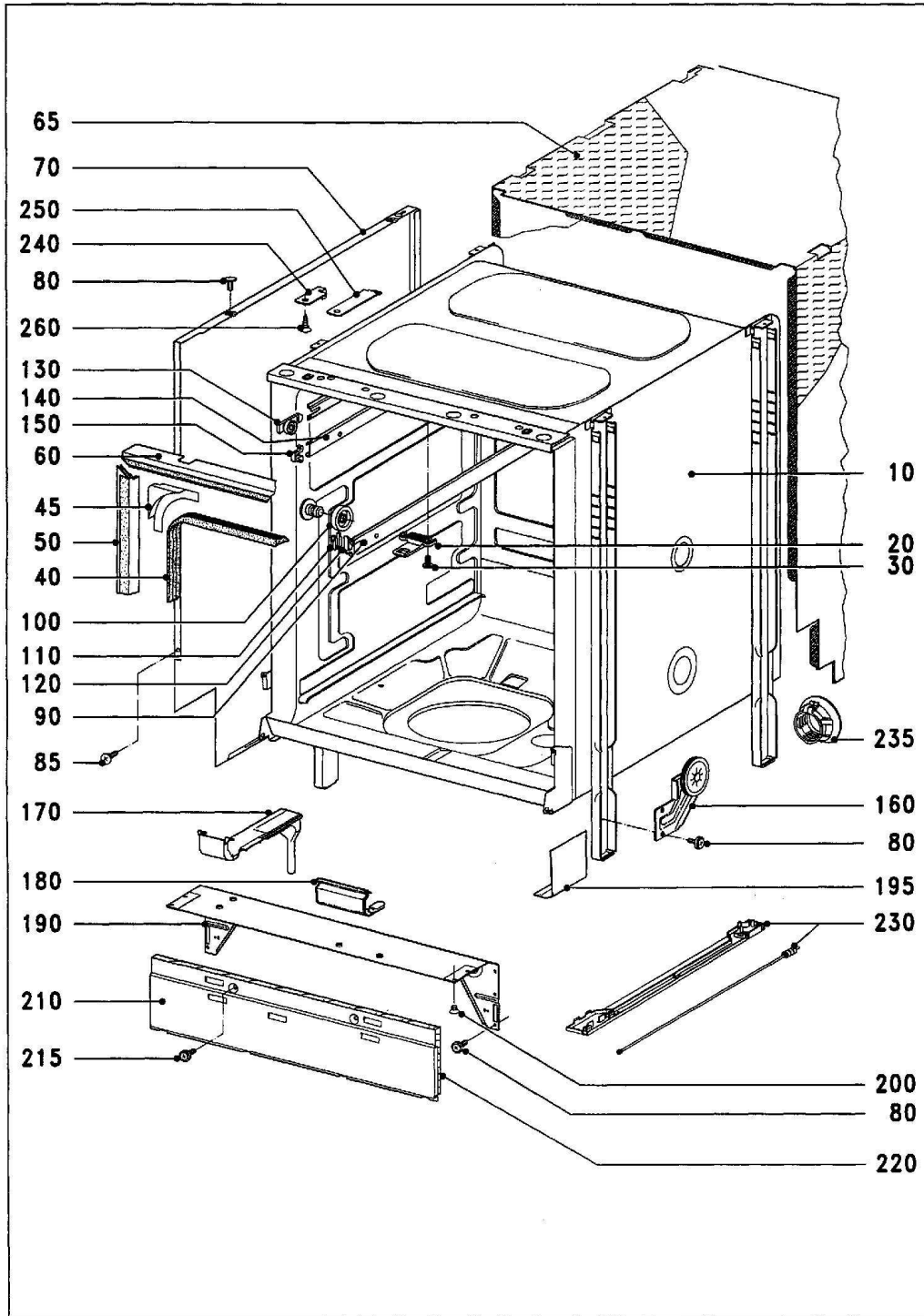
The Miele logo consists of the word "Miele" in a white, bold, serif font, centered within a dark red rectangular background.

Dishwashers  
G 680 SC I

05.12.2023

---

## 010 INNER CABINET, SIDE PANEL



5144500-010



Dishwashers  
G 680 SC I

## 010 INNER CABINET,SIDE PANEL

Pos.	M.-No.	Designation	Price incl. VAT	Qty	UoQ
10-60	5461970 <small>Discontinued</small>	Inner cabinet	973,52 USD <small>Price per units</small>	1	units
		From mach.no 19/.....			
10-60	5335760 <small>Discontinued</small>	Inner cabinet	1458,59 USD <small>Price per units</small>	1	units
20	5416340	-Locking plate	36,48 USD <small>Price per units</small>	1	units
30		--Fixing			
	5369060	--Raised headed screw M5X10	1,73 USD <small>Price per units</small>	2	units
40	3920685	-Seal	47,37 USD <small>Price per units</small>	1	units
45	5439341	-Spacer bracket Seal	2,01 USD <small>Price per units</small>	2	units
		Up to mach.no 17154255			
50	3696402	-Cover strip right	30,74 USD <small>Price per units</small>	1	units
(50)	3696372	-Cover strip left	30,74 USD <small>Price per units</small>	1	units
		From mach.no 17154256			
50	4627040	-Cover strip right white	30,74 USD <small>Price per units</small>	1	units
(50)	4627050 <small>Discontinued</small>	-Cover strip left	30,74 USD <small>Price per units</small>	1	units
50	6822990	-Cover strip right grey	30,74 USD <small>Price per units</small>	1	units
(50)	6822970	-Cover strip left grey	30,74 USD <small>Price per units</small>	1	units
60	3945375	-Cover strip Top white	25,32 USD <small>Price per units</small>	1	units
60	5519240	-Cover strip top grey	13,64 USD <small>Price per units</small>	1	units
65	3997913	Cover	97,30 USD <small>Price per units</small>	1	units
		From mach.no 19/.....			
65	4779411 <small>Discontinued</small>	Cover	90,72 USD <small>Price per units</small>	1	units
70	4596920	Side panel left	119,11 USD <small>Price per units</small>	1	units
(70)	4596910	Side panel right	97,30 USD <small>Price per units</small>	1	units

70	6830330	Side panel left zinc-plated	119,11 USD Price per units	1	units
(70)	6830350	Side panel right zinc-plated	119,11 USD Price per units	1	units
w/o fig.	4627660 Discontinued	Cover strip 651MM	30,74 USD Price per units	2	units
w/o fig.	4645630 Discontinued	Cover strip rear 300mm	30,74 USD Price per units	2	units
80		--Fixing			
	4949600	--Raised head screw 4,2X9,5	1,73 USD Price per units	6	units
85		--Fixing			
	4820950	--Raised head screw M4X11	2,01 USD Price per units	2	units
90-120	1224606	Basket guide Left and right	57,39 USD Price per units	2	units
100-120	3525094	Conv.kt.for runners	30,74 USD Price per units	1	units
100	9575741	Support roller	2,70 USD Price per units	4	units
110	9759811	Clip	2,01 USD Price per units	4	units
120	5310670	Stop Basket guide	2,71 USD Price per units	4	units
130	7649011	Holder	7,14 USD Price per units	4	units
140	2154391	Basket guide	30,74 USD Price per units	2	units
150	2154400	Stop	3,54 USD Price per units	4	units
160	4117461	Bracket right	25,32 USD Price per units	1	units
(160)	4117471	Bracket left	25,32 USD Price per units	1	units
080		--Fixing			
	4949600	--Raised head screw 4,2X9,5	1,73 USD Price per units	4	units
170	5074010	Overflow	11,98 USD Price per units	1	units
180	3986723	Cable entry	7,49 USD Price per units	1	units
190	4341661	Connecting strip front	57,39 USD Price per units	1	units
195	4474681	Cover foil	7,49 USD Price per units	2	units
		--Fixing			
200	5023050	--Countersunk screw M 4 X 7	4,27 USD Price per units	4	units
80	4949600	--Raised head screw 4,2X9,5	1,73 USD Price per units	4	units
210+220	5598390	Coverplate	54,95 USD Price per units	1	units

215		--Fixing			
	4315700	--Hex.self-tap.screw 4,2X9,5	2,01 USD Price per units	2	units
220	3696324	Damping plate	22,79 USD Price per units	1	units
230	4075562	Slide skid	25,32 USD Price per units	2	units
235	3230250	Mounting	4,27 USD Price per units	1	units
240	1248050	Fixing plate	2,71 USD Price per units	1	units
260		--Fixing			
	1105491	--Coun.self-tap.screw 3,9X22	1,73 USD Price per units	1	units
250	4416810	Fixing plate	13,64 USD Price per units	2	units
260		--Fixing			
	1105491	--Coun.self-tap.screw 3,9X22	1,73 USD Price per units	2	units

© Miele & Cie. KG 2023 This information should not be duplicated or passed on without Miele approval. All rights reserved.05.12.2023

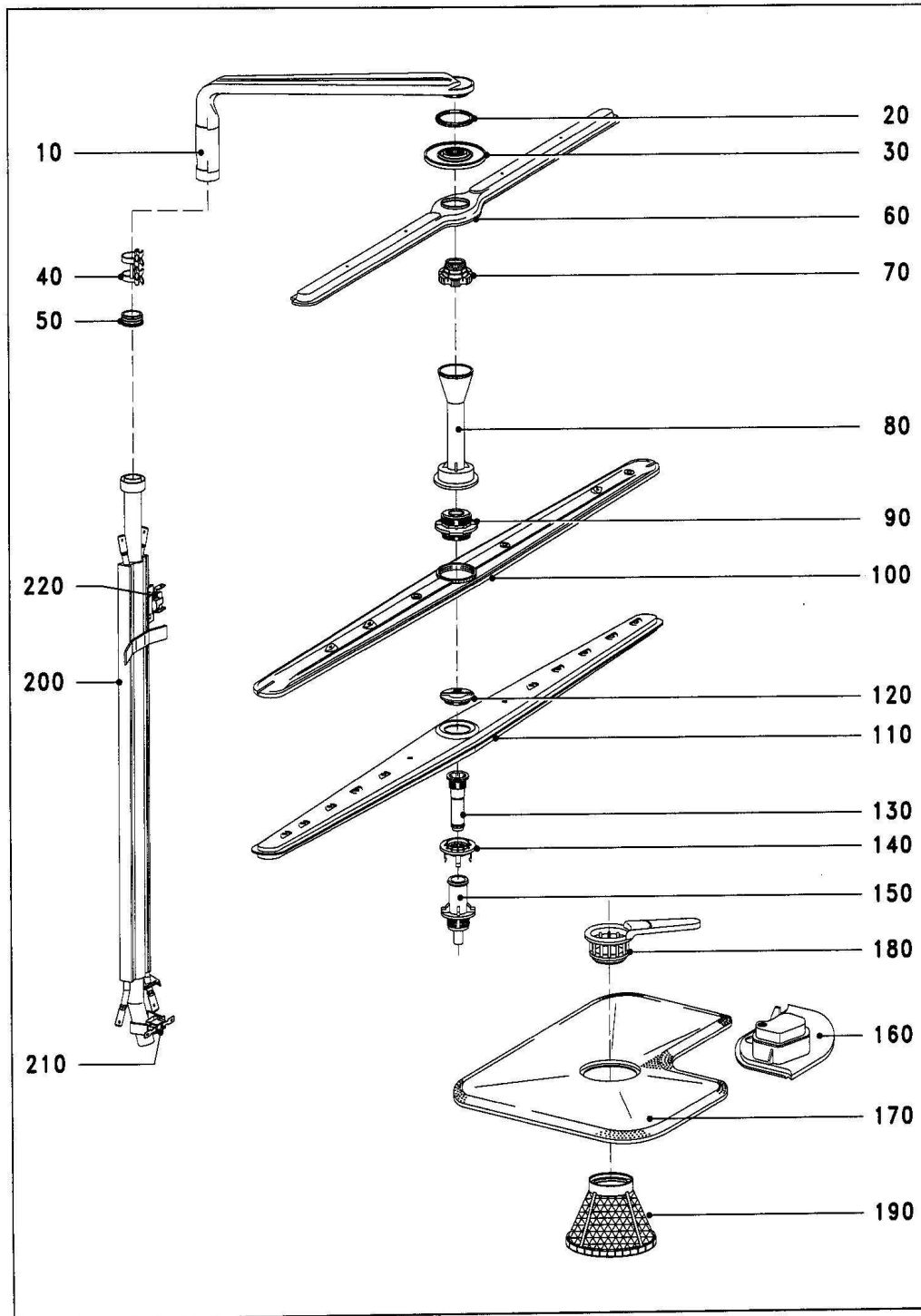
The Miele logo consists of the word "Miele" in a white, bold, serif font, centered within a dark red rectangular background.

Dishwashers  
G 680 SC I

05.12.2023

---

# 020 SPRAY SYSTEM-HEATER



4344410-020



Dishwashers  
G 680 SC I

## 020 SPRAY SYSTEM-HEATER

Pos.	M.-No.	Designation	Price incl. VAT	Qty	UoQ
10-50	4111132	Feed pipe	57,39 USD Price per units	1	units
20	3992120	-Seal	7,95 USD Price per units	1	units
30	4747370	-Lock nut black	30,74 USD Price per units	1	units
40	4024510	-Spring clip	6,14 USD Price per units	1	units
50	5229550	-Sealing ring	6,10 USD Price per units	1	units
60	2599491	Spray arm SC DRM31/27	65,11 USD Price per units	1	units
70	3992152	Spray arm retainer	22,79 USD Price per units	1	units
80	3519600	Funnel	18,00 USD Price per units	1	units
90	3521332	Bearing bush	22,79 USD Price per units	1	units
100	5408831	Spray arm	54,95 USD Price per units	1	units
110-140	3350883	Spray arm bottom	97,30 USD Price per units	1	units
110	3372442	-Spray arm bottom	65,11 USD Price per units	1	units
120	3350811	-Lid	6,10 USD Price per units	1	units
130-150	5786720	Conv.kit spray arm bottom	30,74 USD Price per units	1	units
160	3990501	Cover	36,48 USD Price per units	1	units
170-190	5635931	Filter	119,11 USD Price per units	1	units
170	5756781	-Filter	65,11 USD Price per units	1	units
180	3990150	-Handle	16,70 USD Price per units	1	units
190	4011464	-Microfilter	48,20 USD Price per units	1	units
w/o fig.	5672960	Ring Microfilter	7,95 USD Price per units	1	units
200-240	4425655 Discontinued	Contin.flow heater 1,3KW 120V	247,81 USD Price per units	1	units



210	4425543	-Temperature regul. 90 GRAD C	33,05 USD Price per units	1	units
220	5119001	-Temperature limiter 150 Grad C	47,37 USD Price per units	1	units

© Miele & Cie. KG 2023 This information should not be duplicated or passed on without Miele approval. All rights reserved.05.12.2023

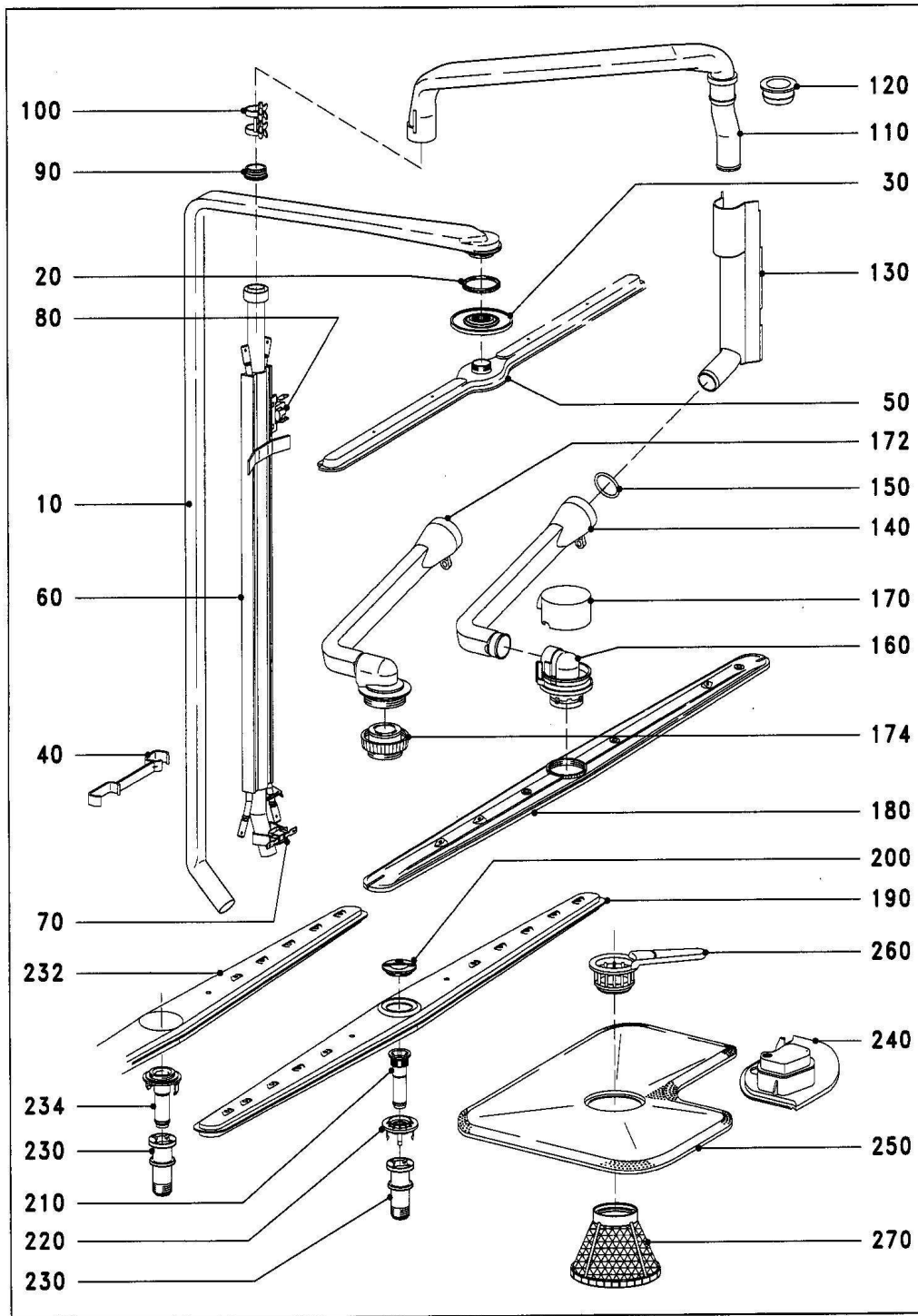
The Miele logo consists of the word "Miele" in a white, bold, serif font, centered within a dark red rectangular background.

Dishwashers  
G 680 SC I

05.12.2023

---

# 022 SPRAY SYSTEM-HEATER, FROM INDEX 19



4344410-022



Dishwashers  
G 680 SC I

## 022 SPRAY SYSTEM-HEATER, FROM INDEX 19

Pos.	M.-No.	Designation	Price incl. VAT	Qty	UoQ
		From mach.no 19/.....			
10-30	4882251	Feed pipe	70,93 USD Price per units	1	units
20	4834110	-Seal	3,11 USD Price per units	1	units
30	6057711	-Lock nut	16,70 USD Price per units	1	units
40	4808190	Fixing bracket	2,71 USD Price per units	1	units
30+50	7213602	Spray arm top	65,11 USD Price per units	1	units
60-90	4425655 Discontinued	Contin.flow heater 1,3KW 120V	247,81 USD Price per units	1	units
70	4425543	-Temperature regul. 90 GRAD C	33,05 USD Price per units	1	units
80	5119001	-Temperature limiter 150 Grad C	47,37 USD Price per units	1	units
90	5229550	Sealing ring	6,10 USD Price per units	1	units
100	4024510	Spring clip	6,14 USD Price per units	1	units
110-120	5268770	Feed pipe	47,37 USD Price per units	1	units
120	5229570	-Sealing ring	25,32 USD Price per units	1	units
130	5106290	Cover	7,95 USD Price per units	1	units
150+					
150+					
172+174	4971601	Spray arm retainer	83,51 USD Price per units	1	units
140	4803880	-Funnel	83,51 USD Price per units	1	units
140	4971601	-Spray arm retainer	83,51 USD Price per units	1	units
150	4868700	-Sealing ring	6,14 USD Price per units	1	units
160	4971601	-Spray arm retainer	83,51 USD Price per units	1	units
172+174	4971601	-Spray arm retainer	83,51 USD Price per units	1	units

170	4862060 Discontinued	-Cap	7,49 USD Price per units	1	units
		From mach.no 20/.....			
150+172	4927081	Spray arm retainer	54,95 USD Price per units	1	units
150+172	4927082	Spray arm retainer	54,95 USD Price per units	1	units
150	4868700	-Sealing ring	6,14 USD Price per units	1	units
174	4912125	Fixing nut Spray arm	22,79 USD Price per units	1	units
180	5408831	Spray arm	54,95 USD Price per units	1	units
232+234	4933191	Spray arm bottom	57,39 USD Price per units	1	units
190	3372442	-Spray arm bottom	65,11 USD Price per units	1	units
200	3350811	-Lid	6,10 USD Price per units	1	units
210-230	5786740	Conv.kit spray arm bottom	30,74 USD Price per units	1	units
		From mach.no			
232+234	4933191	Spray arm bottom	57,39 USD Price per units	1	units
230-234	5786780	Conv.kit spray arm bottom	30,74 USD Price per units	1	units
240	3990501	Cover	36,48 USD Price per units	1	units
250-270	5635931	Filter	119,11 USD Price per units	1	units
250	5756781	-Filter	65,11 USD Price per units	1	units
260	3990150	-Handle	16,70 USD Price per units	1	units
270	4011464	-Microfilter	48,20 USD Price per units	1	units
w/o fig.	5672960	Ring Microfilter	7,95 USD Price per units	1	units

© Miele & Cie. KG 2023 This information should not be duplicated or passed on without Miele approval. All rights reserved.05.12.2023

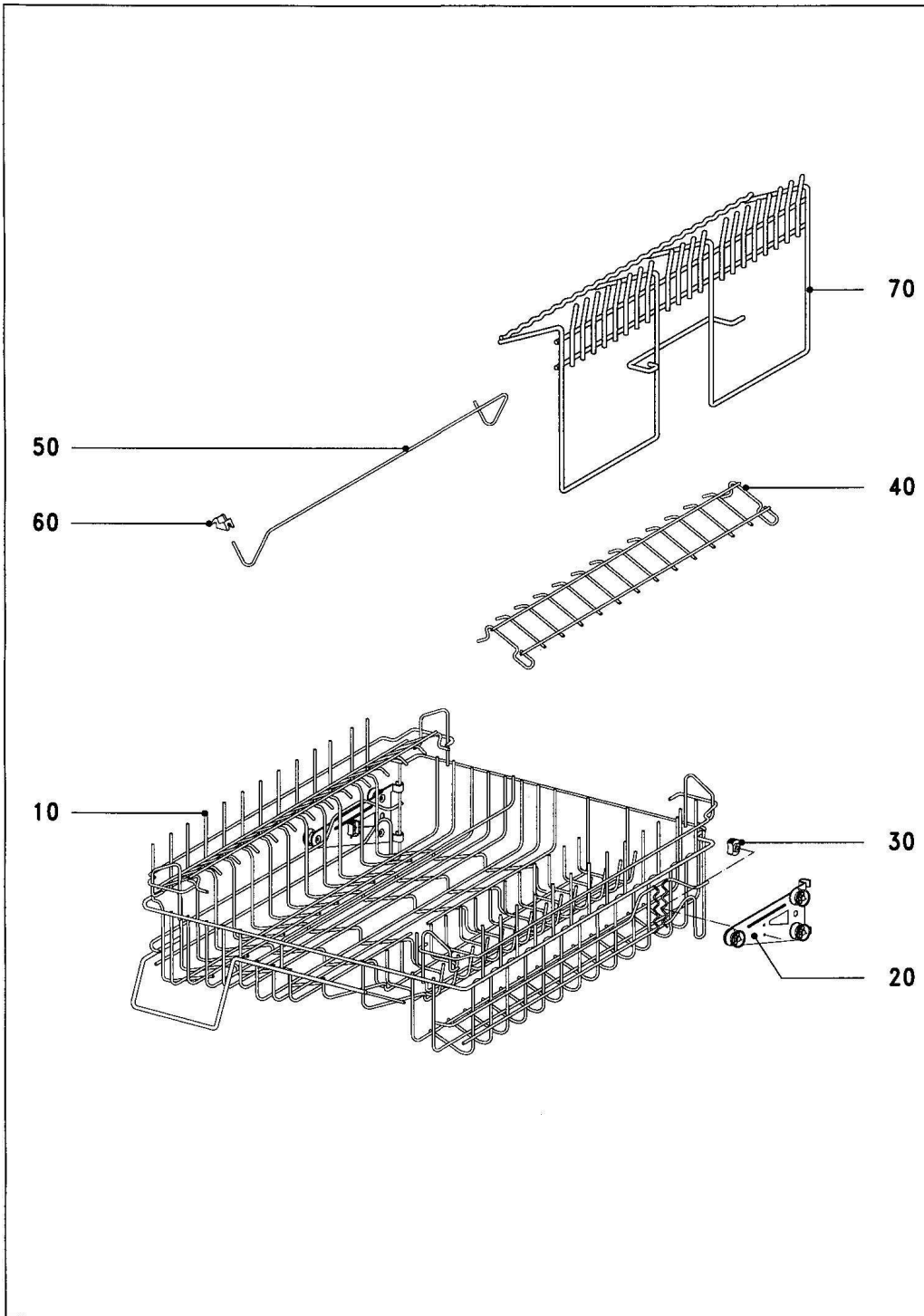
The Miele logo consists of the word "Miele" in a white, bold, serif font, centered within a dark red rectangular background.

Dishwashers  
G 680 SC I

05.12.2023

---

# 030 TOP BASKET AND INSERTS



4344410-030



Dishwashers  
G 680 SC I

## 030 TOP BASKET AND INSERTS

Pos.	M.-No.	Designation	Price incl. VAT	Qty	UoQ
10-60	4118677	Top basket Adjustable	351,14 USD Price per units	1	units
20	5133091	Fixing plate right	36,48 USD Price per units	1	units
(20)	5133080	-Fixing plate left	36,48 USD Price per units	1	units
30		--Fixing			
	3288841	--Knurled nut M6	2,24 USD Price per units	2	units
40	4052981	Cup rack	70,93 USD Price per units	2	units
50	2318201	-Handle	30,74 USD Price per units	1	units
60	2318190	-Mounting	4,27 USD Price per units	2	units
70	3636035	Insert GGO	77,97 USD Price per units	1	units

© Miele & Cie. KG 2023 This information should not be duplicated or passed on without Miele approval. All rights reserved.05.12.2023



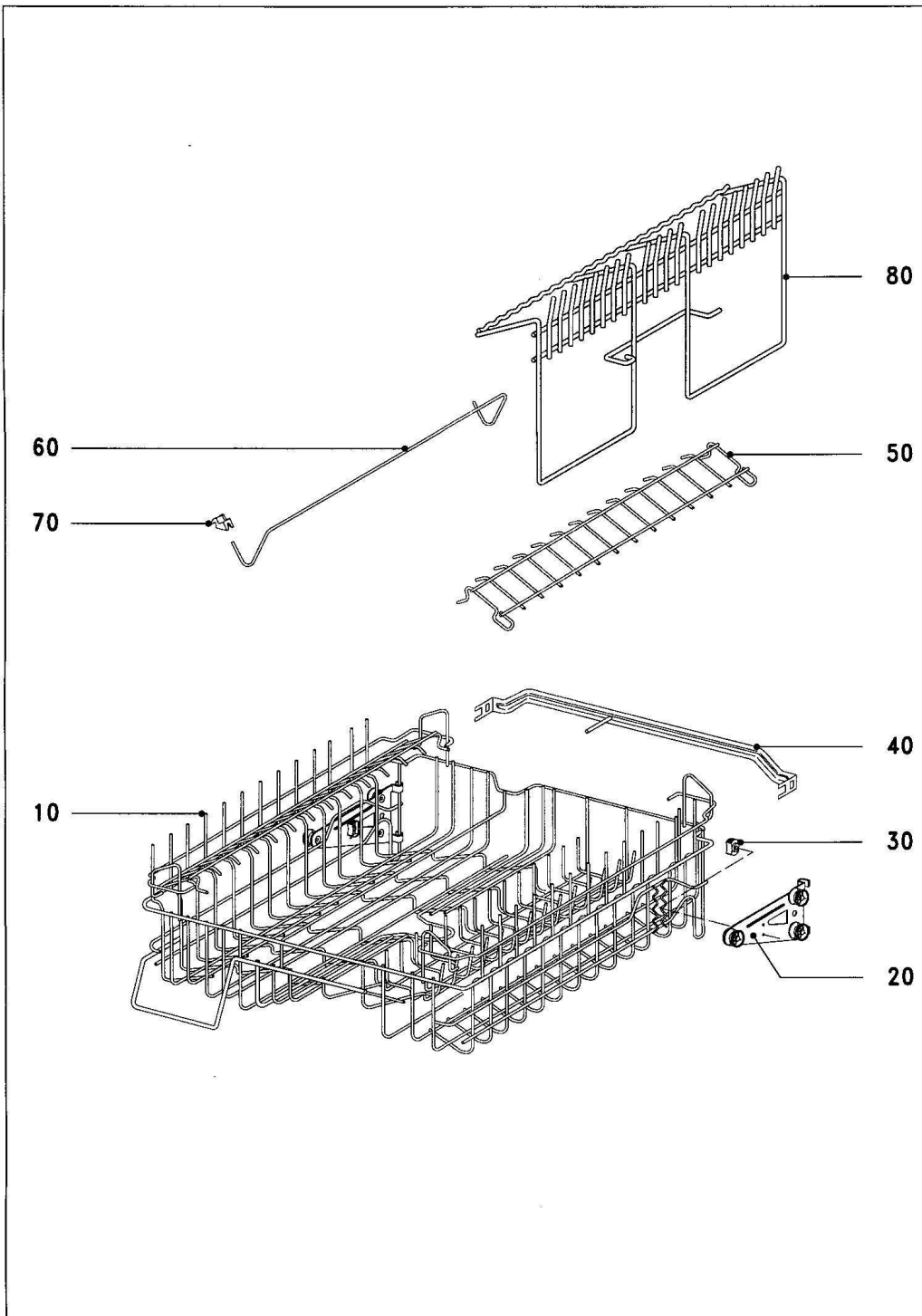
The Miele logo consists of the word "Miele" in a white, bold, serif font, centered within a dark red rectangular background.

Dishwashers  
G 680 SC I

05.12.2023

---

# 032 TOP BASKET AND INSERTS FROM INDEX 19



4344410-032



Dishwashers  
G 680 SC I

## 032 TOP BASKET AND INSERTS FROM INDEX 19

Pos.	M.-No.	Designation	Price incl. VAT	Qty	UoQ
		From mach.no 19/.....			
10-70	5154164	Top basket Adjustable	320,93 USD Price per units	1	units
20	5133091	Fixing plate right	36,48 USD Price per units	1	units
(20)	5133080	-Fixing plate left	36,48 USD Price per units	1	units
30		--Fixing			
	3288841	--Knurled nut M6	2,24 USD Price per units	2	units
40	4771572	-Connecting strip	54,95 USD Price per units	1	units
50	4052981	-Cup rack	70,93 USD Price per units	2	units
60	2318201	-Handle	30,74 USD Price per units	1	units
70	2318190	-Mounting	4,27 USD Price per units	2	units
80	3636035	Insert GGO	77,97 USD Price per units	1	units

© Miele & Cie. KG 2023 This information should not be duplicated or passed on without Miele approval. All rights reserved.05.12.2023

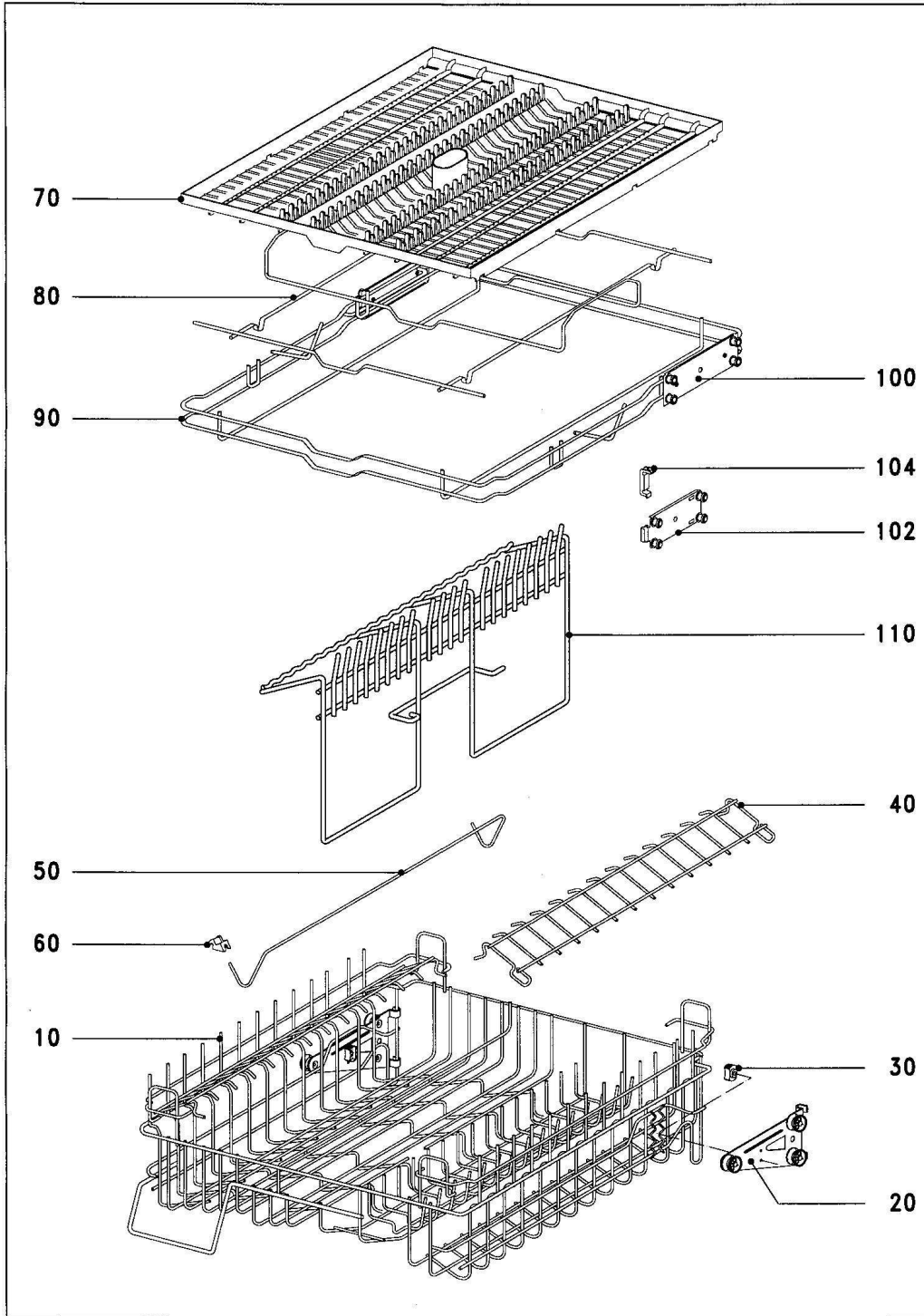
The Miele logo consists of the word "Miele" in a white, bold, serif font, centered within a dark red rectangular background.

Dishwashers  
G 680 SC I

05.12.2023

---

# 035 TOP BASKET AND INSERTS SC



4344410-040



Dishwashers  
G 680 SC I

## 035 TOP BASKET AND INSERTS SC

Pos.	M.-No.	Designation	Price incl. VAT	Qty	UoQ
10-60	4118668	Top basket Adjustable SC	247,81 USD Price per units	1	units
20	5133091	Fixing plate right	36,48 USD Price per units	1	units
(20)	5133080	-Fixing plate left	36,48 USD Price per units	1	units
30		--Fixing			
	3288841	--Knurled nut M6	2,50 USD Price per units	2	units
40	4052981	-Cup rack	70,93 USD Price per units	1	units
50	2318201	-Handle	30,74 USD Price per units	1	units
60	2318190	-Mounting	4,27 USD Price per units	2	units
70+80	4158410 Discontinued	Cutlery insert	119,11 USD Price per units	1	units
70	3665320	-Cutlery insert	109,64 USD Price per units	1	units
80	2900080	-Shelf	57,39 USD Price per units	1	units
90+					
90+					
102+104	4367410	Basket insert	160,14 USD Price per units	1	units
100	3145122	-Rep.kit mounting	54,95 USD Price per units	2	units
102	6384542	-Fixing bracket	22,79 USD Price per units	2	units
104	9004950	-Fitment	2,71 USD Price per units	2	units
110	3636035	Insert GGO	77,97 USD Price per units	1	units

© Miele & Cie. KG 2023 This information should not be duplicated or passed on without Miele approval. All rights reserved.05.12.2023

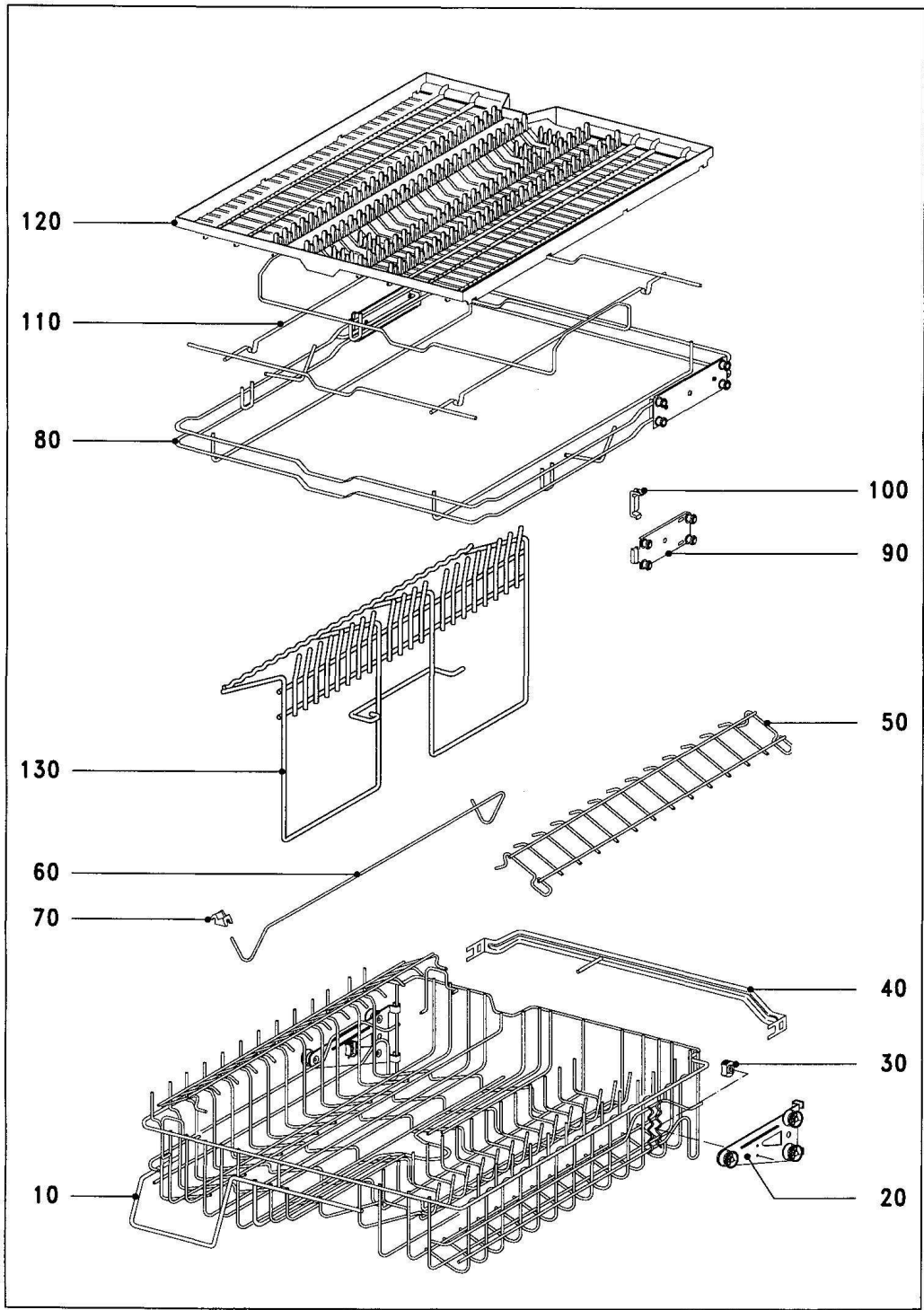
The Miele logo consists of the word "Miele" in a white, bold, serif font, centered within a dark red rectangular background.

Dishwashers  
G 680 SC I

05.12.2023

---

# 037 TOP BASKET AND INSERTS SC FROM INDEX 19



4344410-042





Dishwashers  
G 680 SC I

## 037 TOP BASKET AND INSERTS SC FROM INDEX 19

Pos.	M.-No.	Designation	Price incl. VAT	Qty	UoQ
		From mach.no 19/.....			
10-70	5154174	Top basket Adjustable SC	320,93 USD Price per units	1	units
20	5133091	Fixing plate right	36,48 USD Price per units	1	units
(20)	5133080	-Fixing plate left	36,48 USD Price per units	1	units
30		--Fixing			
	3288841	--Knurled nut M6	2,24 USD Price per units	2	units
40	4771572	-Connecting strip	54,95 USD Price per units	1	units
50	4052981	-Cup rack	70,93 USD Price per units	1	units
60	2318201	-Handle	30,74 USD Price per units	1	units
70	2318190	-Mounting	4,27 USD Price per units	2	units
80-100	4804051	Basket insert	139,36 USD Price per units	1	units
90	6384542	-Fixing bracket	22,79 USD Price per units	2	units
100	9004950	-Fitment	2,71 USD Price per units	2	units
110	4804071	Shelf	65,11 USD Price per units	1	units
120	4766064	Insert	83,51 USD Price per units	1	units
130	3636035	Insert GGO	77,97 USD Price per units	1	units

© Miele & Cie. KG 2023 This information should not be duplicated or passed on without Miele approval. All rights reserved.05.12.2023



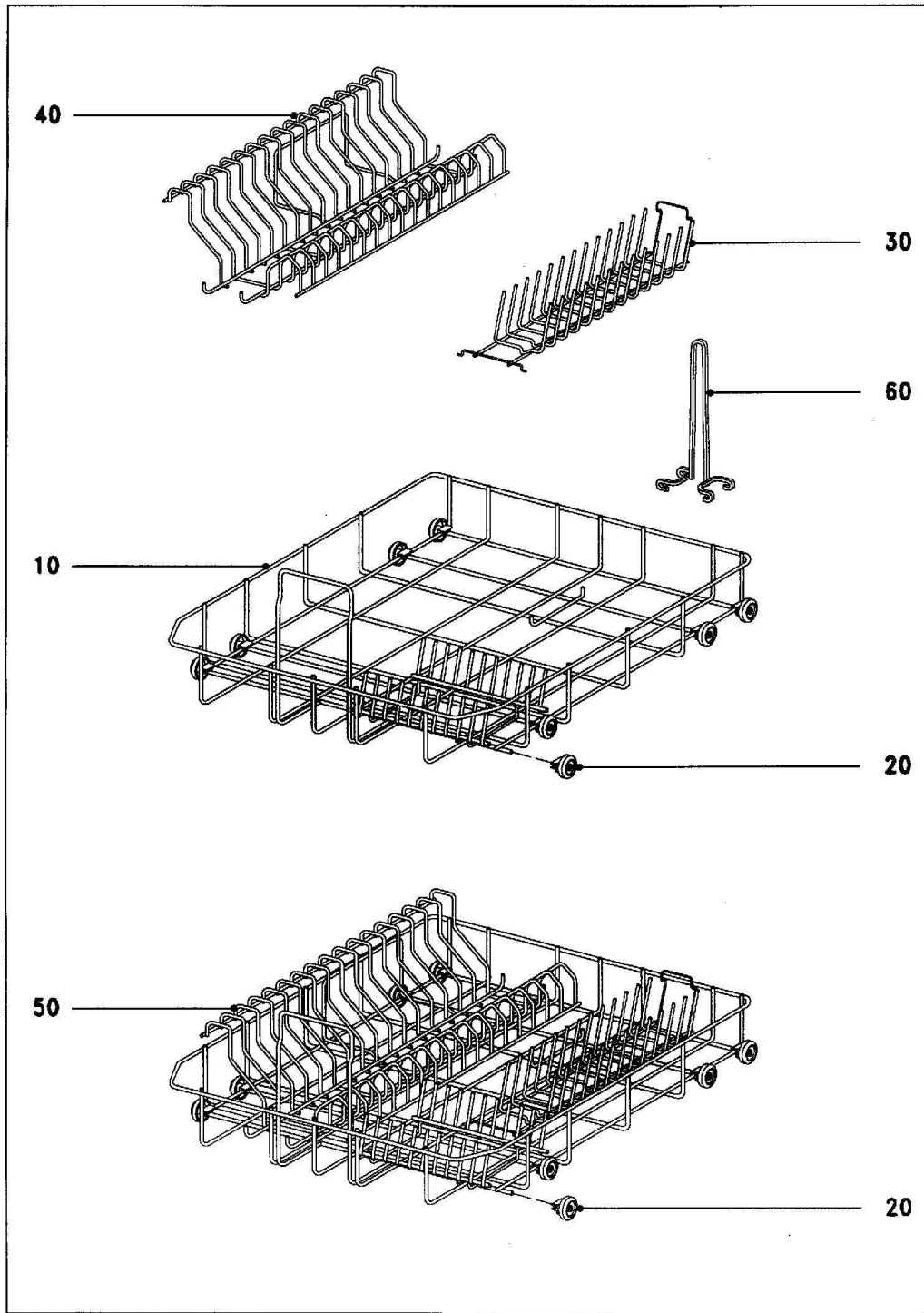
**Miele**

Dishwashers  
G 680 SC I

05.12.2023

---

# 040 BOTTOM BASKET,INSERTS SC



4111240-040



Dishwashers  
G 680 SC I

## 040 BOTTOM BASKET,INSERTS SC

Pos.	M.-No.	Designation	Price incl. VAT	Qty	UoQ
10+20	9032151	Bottom basket GUK 60.4-.7(SC)	198,01 USD Price per units	1	units
20	2372353	-Support roller	13,88 USD Price per units	8	units
(10-20)	9032171	Bottom basket GUK 60.4-.7(SC)	149,56 USD Price per units	1	units
20	2372353	-Support roller	13,88 USD Price per units	8	units
30	5456090	Insert	77,69 USD Price per units	1	units
		FUER TELLER DRM 30CM			
30	5424440	Insert GTLU 32	116,10 USD Price per units	1	units
		FUER TELLER DRM 32CM			
40	5396021	Insert	70,93 USD Price per units	1	units
50+20	5631011	Bottom basket GUK60.6SC	252,53 USD Price per units	1	units
20	2372353	-Support roller	13,88 USD Price per units	8	units
60	7149690	Holder	23,65 USD Price per units	1	units

© Miele & Cie. KG 2023 This information should not be duplicated or passed on without Miele approval. All rights reserved.05.12.2023

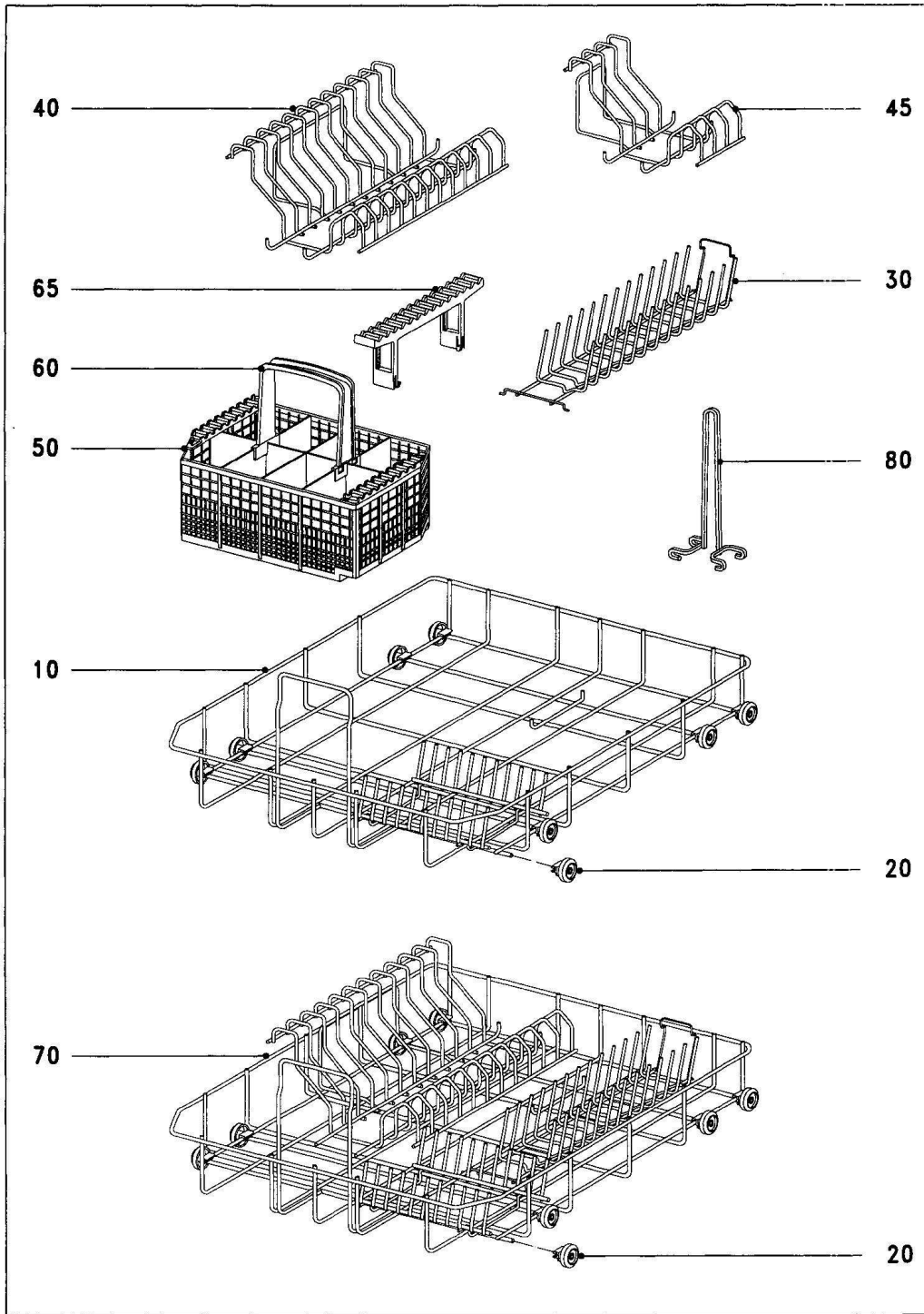
The Miele logo consists of the word "Miele" in a white, bold, sans-serif font, centered within a dark red rectangular background.

Dishwashers  
G 680 SC I

05.12.2023

---

# 050 BOTTOM BASKET,INSERTS,CUTLERY BASKET



4111240-050



Dishwashers  
G 680 SC I

## 050 BOTTOM BASKET,INSERTS,CUTLERY BASKET

Pos.	M.-No.	Designation	Price incl. VAT	Qty	UoQ
10+20	9032151	Bottom basket GUK 60.4-.7(SC)	198,01 USD Price per units	1	units
20	2372353	-Support roller	13,88 USD Price per units	8	units
(10-20)	9032171	Bottom basket GUK 60.4-.7(SC)	149,56 USD Price per units	1	units
20	2372353	-Support roller	13,88 USD Price per units	8	units
30	5456090	Insert FUER TELLER DRM 30CM	77,69 USD Price per units	1	units
30	5424440	Insert GTLU 32 FUER TELLER DRM 32CM	116,10 USD Price per units	1	units
40	5396011	Insert	77,69 USD Price per units	1	units
45	3440130 Discontinued	Insert 4 Plates	70,93 USD Price per units	1	units
50+60	2372335	Cutlery basket	57,39 USD Price per units	1	units
60	6024710	-Cutlery basket	57,39 USD Price per units	1	units
65	4887280	Bracket	16,70 USD Price per units	1	units

© Miele & Cie. KG 2023 This information should not be duplicated or passed on without Miele approval. All rights reserved.05.12.2023

The Miele logo consists of the word "Miele" in a white, bold, serif font, centered within a dark red rectangular background.

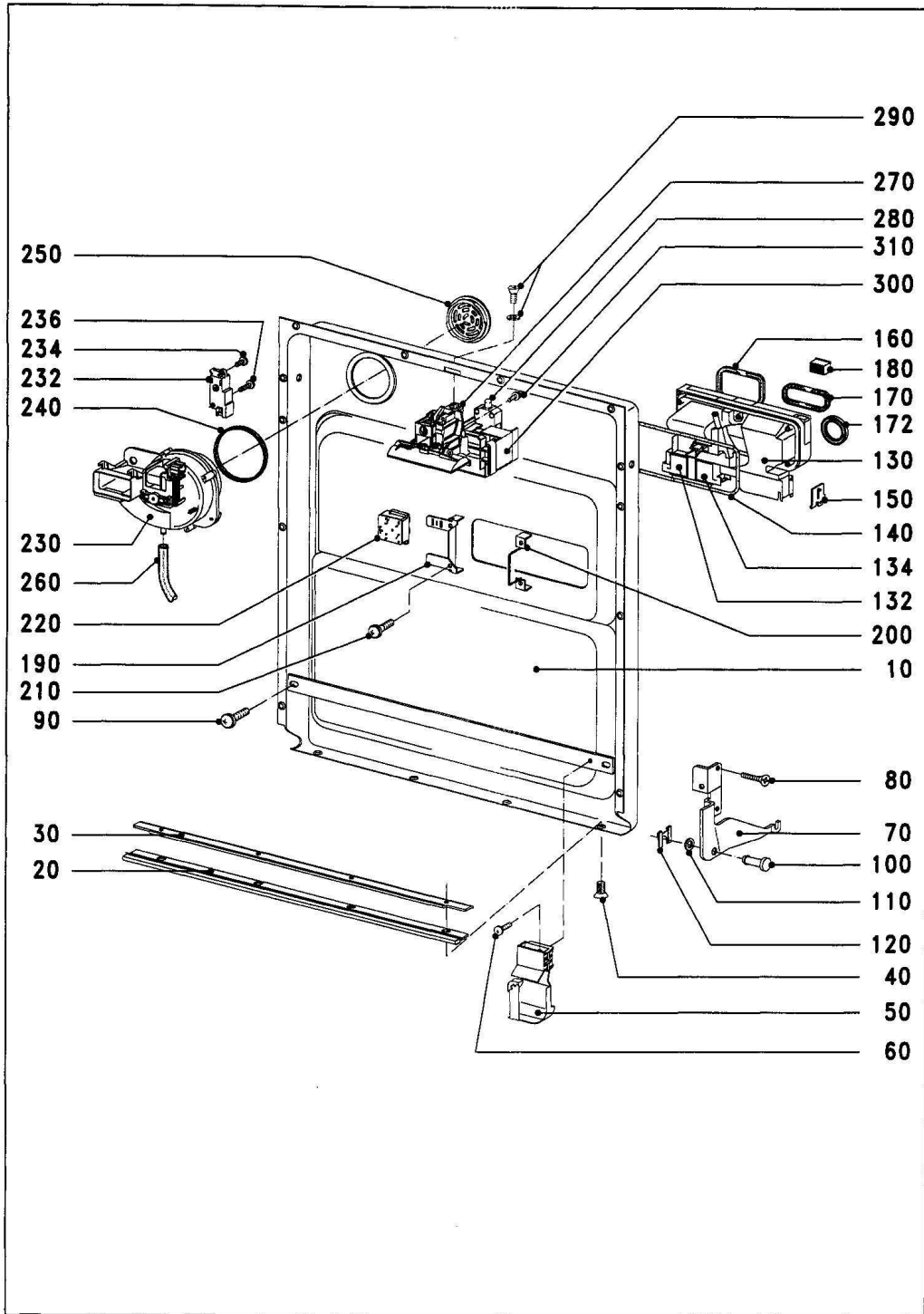
Dishwashers  
G 680 SC I

05.12.2023

---

# 060 Door





4111240-060



Dishwashers  
G 680 SC I

## 060 Door

Pos.	M.-No.	Designation	Price incl. VAT	Qty	UoQ
10-40+					
10	4445832	Inner door panel	508,40 USD Price per units	1	units
20	5011430	-Seal	55,11 USD Price per units	1	units
30	2117922	-Holder	25,32 USD Price per units	1	units
40		--Fixing			
	1109600	--Countersunk screw M3X6	1,73 USD Price per units	4	units
50	4051354	Cable holder	7,95 USD Price per units	1	units
60		--Fixing			
	4781122	--Raised head screw 3,9X6,5	2,01 USD Price per units	1	units
70	3943952	Hinge right	30,74 USD Price per units	1	units
(70)	3943961	Hinge left	30,74 USD Price per units	1	units
80		--Fixing			
	5107510	--Countersunk screw M5x13	1,73 USD Price per units	4	units
90		--Fixing			
	5369060	--Raised headed screw M5X10	1,84 USD Price per units	2	units
		--Fixing			
100	1276190	--Shaft Door	6,10 USD Price per units	2	units
110	10176	--Disc DIN 125 5,3	1,84 USD Price per units	2	units
120	1294070	--Fuse 5 ESN 08	1,73 USD Price per units	2	units
130-172	5274752	Combi-dispenser 120V 60HZ	198,01 USD Price per units	1	units
132	4488360	-Coil 120V 60HZ	77,69 USD Price per units	1	units
134	4488330	-Coil 120V 60HZ	77,69 USD Price per units	1	units
140	4126860	-Seal	2,77 USD Price per units	1	units
150	4157300	-Reed contact	30,74 USD Price per units	1	units

160	4126851	-Seal	25,32 USD Price per units	1	units
170	4126841	-Seal	25,32 USD Price per units	1	units
w/o fig.	5274760	-Push button	11,98 USD Price per units	1	units
		FOR C 2.06			
172	5254440	-Seal	25,32 USD Price per units	1	units
w/o fig.	5274760	Push button	11,98 USD Price per units	1	units
		FOR C 2.09			
180	4126880	Flap	22,79 USD Price per units	1	units
190	3970480	Fixing bracket	4,38 USD Price per units	2	units
200	4004120	Fixing bracket	4,38 USD Price per units	1	units
210		--Fixing			
	1599350	--Raised head screw 4,0X14	1,73 USD Price per units	6	units
230-240	4887122	Fan 100-120V 60HZ	216,43 USD Price per units	1	units
232	5066910	-Release element 100-240V	83,51 USD Price per units	1	units
		--Fixing			
234		--Countersunk screw			
236		--Countersunk screw			
240	2118771	-Sealing ring	7,95 USD Price per units	1	units
250	2119232	Filter	8,73 USD Price per units	1	units
260	4004112	Connection hose	11,98 USD Price per units	1	units
270+280	4916661	Lock	65,11 USD Price per units	1	units

© Miele & Cie. KG 2023 This information should not be duplicated or passed on without Miele approval. All rights reserved.05.12.2023

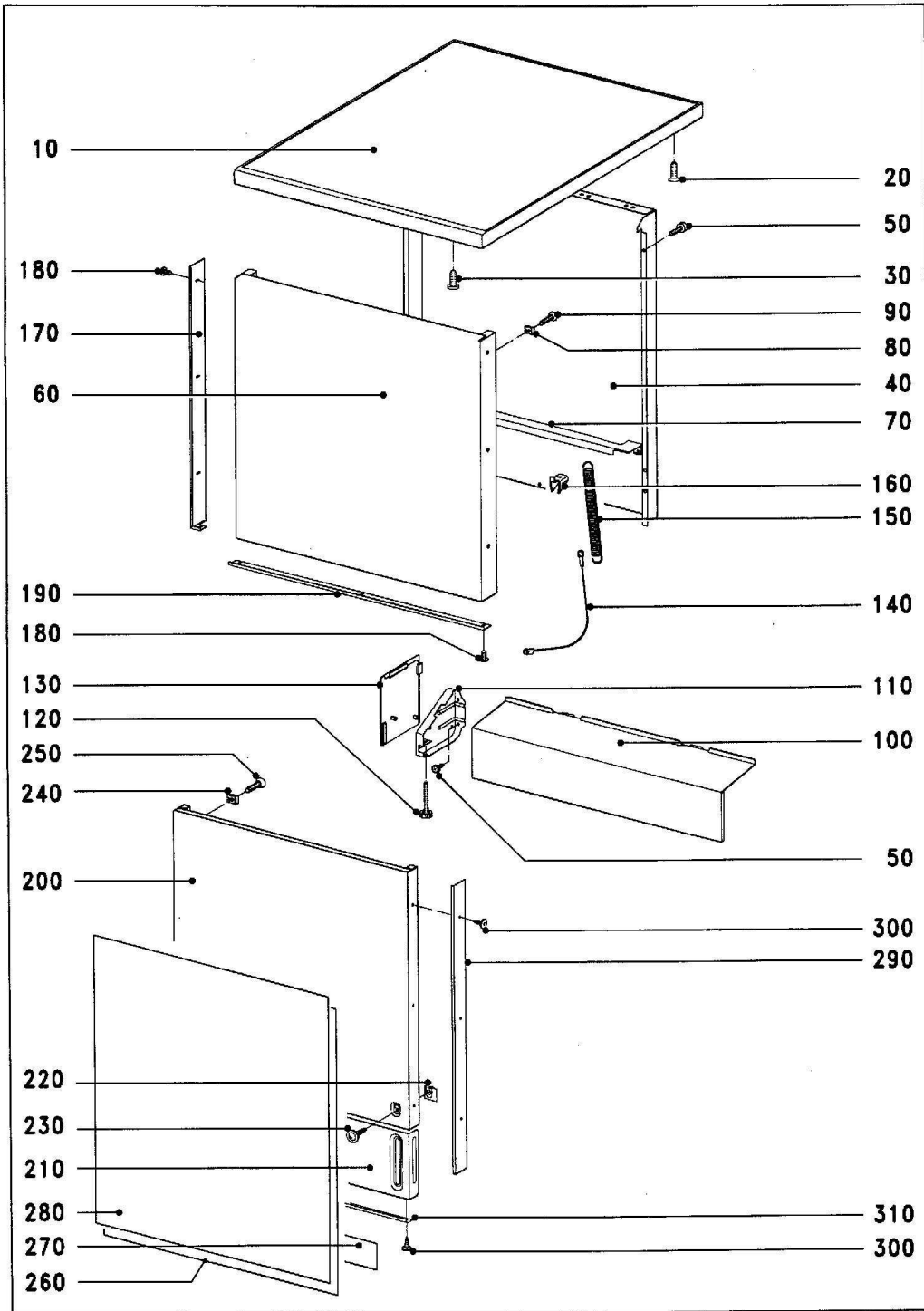
The Miele logo consists of the word "Miele" in a white, bold, sans-serif font, centered within a dark red rectangular background.

Dishwashers  
G 680 SC I

05.12.2023

---

# 070 FRONTPANEL FREESTANDING DISHWASHER



5072780-022



Dishwashers  
G 680 SC I

# 070 FRONTPANEL FREESTANDING DISHWASHER

Pos.	M.-No.	Designation	Price incl. VAT	Qty	UoQ
10+20	5043550	Lid I.white	127,96 USD Price per units	1	units
10+20	7067800	Lid dark brown	119,11 USD Price per units	1	units
20		--Fixing			
	65952	--Raisedhead screw 4,8X19	1,84 USD Price per units	2	units
30		--Fixing			
	346912	--Raised head screw Zinc-plated 4,8x16	1,73 USD Price per units	2	units
40	4425220 Discontinued	Rear panel Zinc-plated	97,30 USD Price per units	1	units
50		--Fixing			
	4949600	--Raised head screw 4,2X9,5	1,84 USD Price per units	4	units
60+80	4056084	Outer door panel white	281,63 USD Price per units	1	units
w/o fig.	2910441	-Raised head screw 3,5x9,5	1,84 USD Price per units	6	units
		I.white			
w/o fig.	4847260	-Damping plate	47,37 USD Price per units	1	units
70+(80)	4320400	Reinforcement	40,34 USD Price per units	1	units
		--Fixing			
80	4317635	--Nut 3,9	1,73 USD Price per units	2	units
(80)	1774880	--Nut B 3,9	2,77 USD Price per units	2	units
90	4746680	--Coun.self-tap.screw 3,9X19	1,73 USD Price per units	4	units
100	3696360	Plinth I.white	65,11 USD Price per units	1	units
100	4223870 Discontinued	Plinth black	65,11 USD Price per units	1	units
110	3696352	Support left	18,00 USD Price per units	1	units
(110)	3696342	Support right	18,00 USD Price per units	1	units

50		--Fixing			
	4949600	--Raised head screw 4,2X9,5	1,84 USD Price per units	4	units
120	4209491	Foot 73MM	16,71 USD Price per units	2	units
130	5329800	Cover left white	30,74 USD Price per units	1	units
(130)	5329790	Cover right lightwhite	30,74 USD Price per units	1	units
130	4223890 Discontinued	Cover left black	18,00 USD Price per units	1	units
(130)	4223880 Discontinued	Cover right black	18,00 USD Price per units	1	units
140	4056561	Cable	18,00 USD Price per units	2	units
150	4083990	Tensioning spring 270N 200 mm red	18,00 USD Price per units	1	units
(150)	4274900	Tensioning spring 195N 200mm orange	22,79 USD Price per units	1	units
160	4008740	Suspension	3,11 USD Price per units	2	units
170	4582280	Decor frame strip left white	40,34 USD Price per units	1	units
170	4582270 Discontinued	Decor frame strip left d.brown	54,95 USD Price per units	1	units
170	4582290 Discontinued	Decor frame strip left black	36,48 USD Price per units	1	units
(170)	4582250 Discontinued	Decor frame strip right lightwhite	36,48 USD Price per units	1	units
(170)	4582240 Discontinued	Decor frame strip Right dark brown	54,95 USD Price per units	1	units
(170)	4582260 Discontinued	Decor frame strip right black	30,74 USD Price per units	1	units
180		--Fixing			
	2910441	--Raised head screw 3,5x9,5	1,84 USD Price per units	3	units
		--l.white			
	2910431	--Raised head screw 3,5x9,5	1,73 USD Price per units	3	units
190	4582310	Decor frame strip bottom light white	25,32 USD Price per units	1	units
190	4582300 Discontinued	Decor frame strip bottom dark brown	25,32 USD Price per units	1	units
190	4582320 Discontinued	Decor frame strip bottom black	25,32 USD Price per units	1	units
180		--Fixing			
	2910441	--Raised head screw 3,5x9,5	1,84 USD Price per units	3	units
		l.white			
	2910431	--Raised head screw 3,5x9,5	1,73 USD Price per units	3	units

200-230	4582511	Outer door panel	232,39 USD Price per units	1	units
210	4559430	-Adapter	40,34 USD Price per units	1	units
		--Fixing			
220	4559500	--Nut	2,71 USD Price per units	3	units
230	4998870	--Raised head screw 4,2X9,5	1,84 USD Price per units	3	units
		--Fixing			
240	4317635	--Nut 3,9	1,73 USD Price per units	4	units
250	4746680	--Coun.self-tap.screw 3,9X19	1,73 USD Price per units	4	units
260	4098390	Spacer bracket	13,64 USD Price per units	1	units
270	4605290	Spacer bracket	4,27 USD Price per units	1	units
280	4597241 PartsMod	Decor panel 588x604 db/white	70,93 USD Price per units	1	units
290	4573750	Decor frame strip right l.white 604mm	47,37 USD Price per units	1	units
290	4573740 Discontinued	Decor frame strip right d.brown 604mm	47,37 USD Price per units	1	units
290	4573760 Discontinued	Decor frame strip right black 604mm	47,37 USD Price per units	1	units
(290)	4581920	Decor frame strip left l.white 604mm	47,37 USD Price per units	1	units
(290)	4581910 Discontinued	Decor frame strip left d.brown 654mm	47,37 USD Price per units	1	units
(290)	4581930 Discontinued	Decor frame strip left black 604mm	47,37 USD Price per units	1	units
300		--Fixing			
	2910441	--Raised head screw 3,5x9,5	1,84 USD Price per units	6	units
		l.white			
	2910431	--Raised head screw 3,5x9,5	1,73 USD Price per units	6	units
310	4573780	Decor frame strip bottom light white	25,32 USD Price per units	1	units
310	4573770 Discontinued	Decor frame strip bottom dark brown	25,32 USD Price per units	1	units
310	4573790 Discontinued	Decor frame strip bottom black	25,32 USD Price per units	1	units
300		--Fixing			
	2910441	--Raised head screw 3,5x9,5	1,84 USD Price per units	3	units
		l.white			
	2910431	--Raised head screw 3,5x9,5	1,73 USD Price per units	3	units
w/o fig.	4466792 Discontinued	Accessory	40,34 USD Price per units	1	units







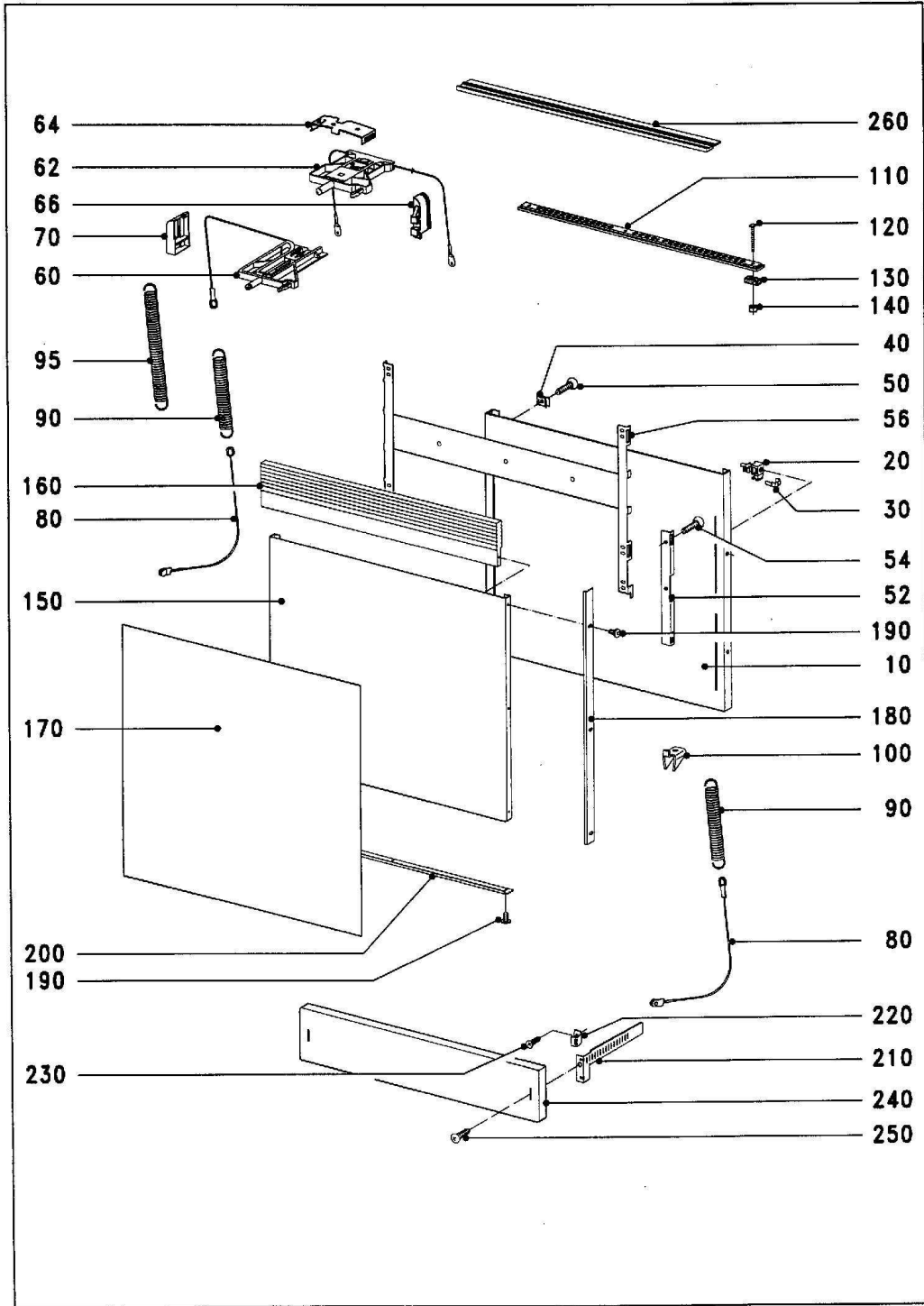
**Miele**

Dishwashers  
G 680 SC I

05.12.2023

---

# 080 FRONTPANEL U F I VERSION DISHWASHER



4535350-080



Dishwashers  
G 680 SC I

# 080 FRONTPANEL U F I VERSION DISHWASHER

Pos.	M.-No.	Designation	Price incl. VAT	Qty	UoQ
10-140					
		FOR INTERADET APPLIANCE			
10-260					
		FOR PLINTH APPLIANCE - GDU			
10-40	7320381	Outer door panel zermattsilver	270,17 USD Price per units	1	units
w/o fig.	4061250	-End plug white	2,01 USD Price per units	4	units
w/o fig.	4847260	-Damping plate	47,37 USD Price per units	1	units
20+30	3989713	-Fitment	13,64 USD Price per units	4	units
40		--Fixing			
	4317635	--Nut 3,9	1,73 USD Price per units	2	units
	12145	--Nut 3,9	1,73 USD Price per units	2	units
50		--Fixing			
	4746680	--Coun.self-tap.screw 3,9X19	1,73 USD Price per units	4	units
52	3989600 PartsMod	Guide track	7,95 USD Price per units	2	units
56	4993261	Fixing 600MM	54,95 USD Price per units	1	units
w/o fig.	4928070	Template Front fastenings	4,27 USD Price per units	2	units
54		--Fixing			
	72135	--Count.sunk wood scr 4X15	1,73 USD Price per units	6	units
w/o fig.	4695472 Discontinued	Outer door panel Stainless steel	442,07 USD Price per units	1	units
60	4014341	Spring mechanism Natural	40,34 USD Price per units	1	units
70	4014320	Guide	4,27 USD Price per units	1	units
80	4056561	Cable	18,00 USD Price per units	2	units

90	4083990	Tensioning spring 270N 200 mm red	18,00 USD Price per units	2	units
95		Tensioning spring			
		From mach.no 17812183			
62	4898260	Spring mechanism	54,95 USD Price per units	1	units
64	4898310	Clamp	4,27 USD Price per units	1	units
66	4898300	Guide right	4,27 USD Price per units	1	units
90	4083960	Tensioning spring 380N 200mm white	25,32 USD Price per units	1	units
		left			
90	4083960	Tensioning spring 380N 200mm white	25,32 USD Price per units	1	units
		right			
100	4008740	Suspension	2,71 USD Price per units	1	units
110	4047341	Adapter I.white	16,70 USD Price per units	4	units
110	4047311 Discontinued	Adapter dark brown	16,70 USD Price per units	4	units
110	4047361	Adapter black	16,70 USD Price per units	4	units
110	3280742	Adapter Stainless steel	65,11 USD Price per units	4	units
		FOR ADAPTER-STAINLESS STEEL			
w/o fig.	3298210	Cap	4,27 USD Price per units	8	units
w/o fig.	3282261	Intermediate layer	18,00 USD Price per units	3	units
(130)	3282250	Spacer bracket	2,01 USD Price per units	9	units
120		--Fixing			
	2346841	--Quare headed scrwe M5X50	1,73 USD Price per units	3	units
	4235040	--Quare headed scrwe M5X50	2,24 USD Price per units	3	units
		FOR STAINLESS STEEL			
130	2667300	Spacer bracket	2,01 USD Price per units	9	units
140		--Fixing			
	245571	--Hexagonal nut Zinc-plated M5	1,73 USD Price per units	3	units
w/o fig.	4085522	Accessory	30,74 USD Price per units	1	units
150	4119230	Outer door panel	155,25 USD Price per units	1	units
160	4035100	Spacer	18,00 USD Price per units	1	units

170	4597261 PartsMod	Decor panel 588X604 SW/LIWS	70,93 USD Price per units	1	units
180	4060540	Decor frame strip right l.white 604mm	40,34 USD Price per units	1	units
180	4034510 Discontinued	Decor frame strip right d.brown 604mm	36,48 USD Price per units	1	units
180	4060550 Discontinued	Decor frame strip right black 604mm	36,48 USD Price per units	1	units
(180)	4060560	Decor frame strip left l.white 604mm	40,34 USD Price per units	1	units
(180)	4034520 Discontinued	Decor frame strip left d.brown 654mm	36,48 USD Price per units	1	units
(180)	4060570 Discontinued	Decor frame strip left black 604mm	36,48 USD Price per units	1	units
190		--Fixing			
	2910431	--Raised head screw 3,5x9,5	1,73 USD Price per units	6	units
	2910441	--Raised head screw 3,5x9,5	1,73 USD Price per units	6	units
		--l.white			
200	4060580	Decor frame strip bottom light white	30,74 USD Price per units	1	units
200	4034541	Decor frame strip bottom dark brown	47,37 USD Price per units	1	units
200	4060591	Decor frame strip bottom black	47,37 USD Price per units	1	units
190		--Fixing			
	2910431	--Raised head screw 3,5x9,5	1,73 USD Price per units	3	units
	2910441	--Raised head screw 3,5x9,5	1,73 USD Price per units	3	units
		l.white			
210-250	4889711 Discontinued	Conv.kit plinth l.white	65,11 USD Price per units	1	units
210-250	4889701	Conv.kit plinth black	65,11 USD Price per units	1	units
210	3854421	-Fixing bracket right	7,49 USD Price per units	1	units
(210)	3854431	-Fixing bracket left	7,49 USD Price per units	1	units
220	3854440	-Locking mechanism	4,27 USD Price per units	2	units
230		--Fixing			
	2238420	--Raised head screw 3,9X9,5	1,73 USD Price per units	2	units
240	4001182	-Plinth l.white	70,93 USD Price per units	1	units
240	4214882	-Plinth black	40,34 USD Price per units	1	units
250		--Fixing			
	2238420	--Raised head screw 3,9X9,5	1,73 USD Price per units	2	units

	4030651	--Raised head screw l.white	2,01 USD Price per units	2	units
260	1156154	Coverplate	47,37 USD Price per units	1	units
w/o fig.	4190150	Cv.kt.plinth att.	40,34 USD Price per units	1	units
		FOR END OF RUN AND CORNER AREA			
w/o fig.	4441310	Cover black	30,74 USD Price per units	1	units
w/o fig.	4441300	Cover l.white	30,74 USD Price per units	1	units
w/o fig.	2838010 Discontinued	Spacer plate l.white	90,72 USD Price per units	1	units
w/o fig.	2838000	Spacer plate dark brown	90,72 USD Price per units	1	units
w/o fig.	4344520 Discontinued	Spacer plate black	90,72 USD Price per units	1	units
w/o fig.	3048920 Discontinued	Spacer plate 1,5-4mm light white	90,72 USD Price per units	1	units
w/o fig.	3048910 Discontinued	Spacer plate 1,5-4mm dark brown	90,72 USD Price per units	1	units
w/o fig.	4344530 Discontinued	Spacer plate 1,5-4mm black	90,72 USD Price per units	1	units
		FUER G 502,503,505,512,552			
w/o fig.	2837970 Discontinued	-Spacer plate l.white	90,72 USD Price per units	1	units
w/o fig.	2837950 Discontinued	Spacer plate dark brown	90,72 USD Price per units	1	units
w/o fig.	4344510	Spacer plate black	90,72 USD Price per units	1	units
w/o fig.	3048950 Discontinued	Spacer plate 1,5-4mm light white	90,72 USD Price per units	1	units
w/o fig.	3048940 Discontinued	Spacer plate 1,5-4mm dark brown	90,72 USD Price per units	1	units
w/o fig.	4344540 Discontinued	Spacer plate 1,5-4MM SCHWARZ	90,72 USD Price per units	1	units
		FUER G 520-567			

© Miele & Cie. KG 2023 This information should not be duplicated or passed on without Miele approval. All rights reserved.05.12.2023



**Miele**

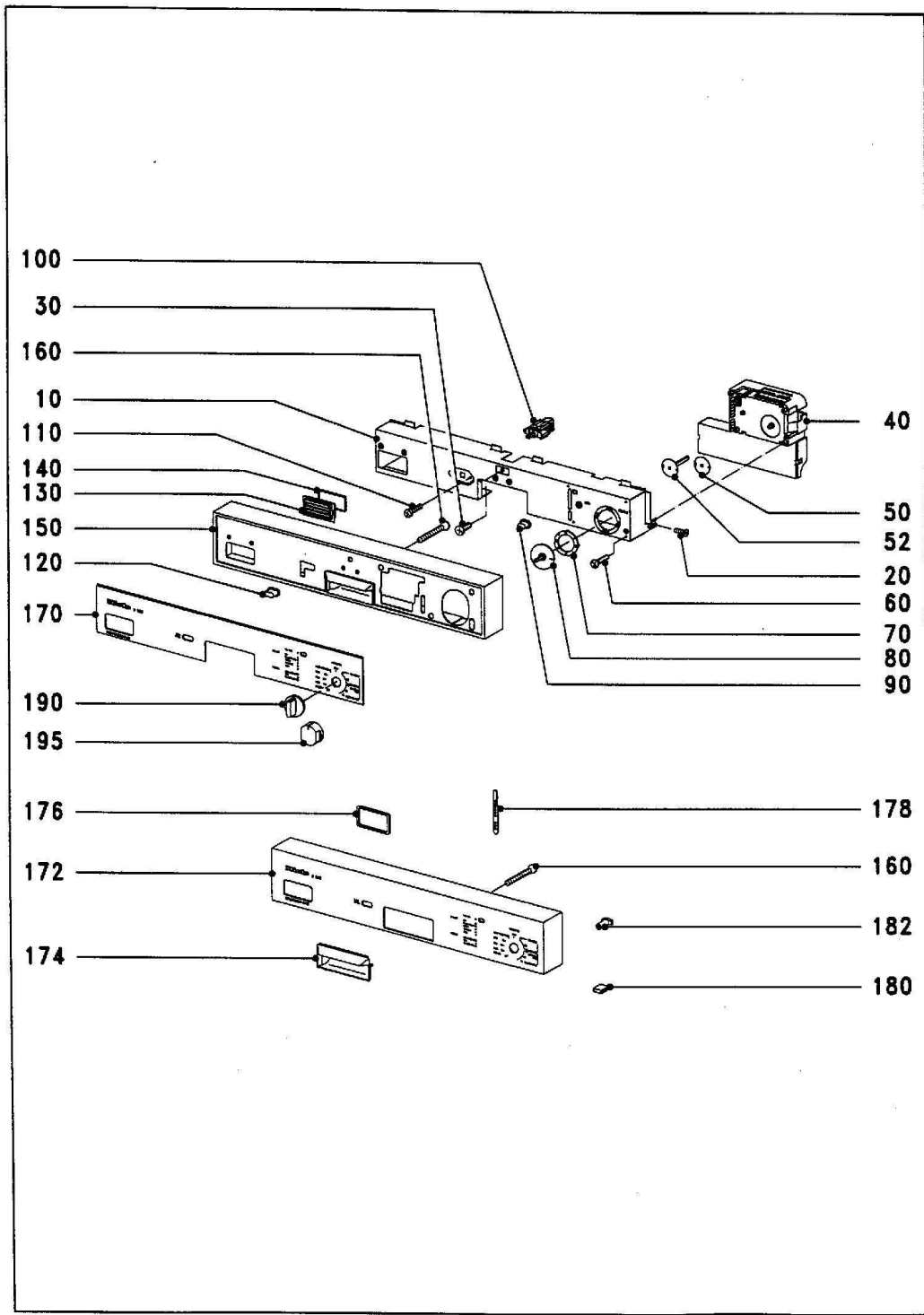
Dishwashers  
G 680 SC I

05.12.2023

---

# 092 FACIA PANEL,ELECTRONIC UNIT G 680





4344410-085



Dishwashers  
G 680 SC I

## 092 FACIA PANEL,ELECTRONIC UNIT G 680

Pos.	M.-No.	Designation	Price incl. VAT	Qty	UoQ
10	4383630 Discontinued	Fixing bracket	57,39 USD Price per units	1	units
20		--Fixing			
	2238160	--Coun.self-tap.screw 3,9X9,5 A2/1.4301	2,77 USD Price per units	2	units
30		--Fixing			
	28302	--Countersunk screw M5X10	2,01 USD Price per units	1	units
		Up to mach.no 17535386			
40+50	4469700 Discontinued	Electronic unit EPLZ 501 120V 60HZ	702,00 USD Price per units	1	units
50	4201120	-Clutch plate	6,14 USD Price per units	1	units
		From mach.no 17535387			
40+52	4756062 Discontinued	Electronic unit EPLZ 520 120V 60HZ	559,13 USD Price per units	1	units
		NOVOTRONIC BASIC			
52	4765701	-Clutch plate	6,10 USD Price per units	1	units
		From mach.no 19/.....			
40+52	4870731 Discontinued	Electronic unit EGPL 500 120V 60HZ	626,16 USD Price per units	1	units
52	4765701	-Clutch plate	6,10 USD Price per units	1	units
60		--Fixing			
	6106981	--Raised head screw 4,0x14	1,73 USD Price per units	4	units
70	3881371	Sliding ring	7,49 USD Price per units	1	units
80	4655290 Discontinued	Selector disc LICHTWEISS	11,98 USD Price per units	1	units
90	3881351	Programme knob l.white	4,27 USD Price per units	1	units
90	3883141	Programme knob black	4,27 USD Price per units	1	units
100	5909920	Cv.kt.butt.switch	75,78 USD Price per units	1	units
110		--Fixing			

	6106981	--Raised head screw 4,0x14	1,73 USD Price per units	2	units
120	4026281	Cap casingwhite	11,98 USD Price per units	1	units
120	4026301	Cap black	11,98 USD Price per units	1	units
130+140	4318110	Jet I.white	11,98 USD Price per units	1	units
130+140	4318130	Jet black	11,98 USD Price per units	1	units
140	4271770	-Sealing ring	2,71 USD Price per units	1	units
150	4175402	Fascia panel I.white	77,69 USD Price per units	1	units
150	4175412	Fascia panel black	77,69 USD Price per units	1	units
160		--Fixing			
	4746680	--Coun.self-tap.screw 3,9X19	1,84 USD Price per units	6	units
170	4479500 Discontinued	Control panel I.white SC	83,51 USD Price per units	1	units
170	4479490 Discontinued	Control panel black SC	83,51 USD Price per units	1	units
172-182	4638470 Discontinued	Fascia panel Stainless steel SC	442,07 USD Price per units	1	units
174	4597070	-Handle	40,34 USD Price per units	1	units
176	4462090	-Intermediate layer	6,10 USD Price per units	1	units
178	4325471 Discontinued	-Optic light guide	7,49 USD Price per units	1	units
180	4462020	-Bracket	3,11 USD Price per units	2	units
182	4534300	-Fitment	3,11 USD Price per units	6	units
w/o fig.	4880940 Discontinued	-Edging 850MM	22,79 USD Price per units	1	units
w/o fig.	5340430 Discontinued	-Self-adhesive foil 12MM 33M	83,51 USD Price per units	1	units
160		--Fixing			
	4746680	--Coun.self-tap.screw 3,9X19	1,84 USD Price per units	6	units
		From mach.no 19/.....			
170	4877770 Discontinued	Control panel I.white SC	83,51 USD Price per units	1	units
170	4877780 Discontinued	Control panel black SC	83,51 USD Price per units	1	units
172+180	4877740 Discontinued	Fascia panel Stainless steel SC	442,07 USD Price per units	1	units
174	4597070	-Handle	40,34 USD Price per units	1	units
176	4462090	-Intermediate layer	6,10 USD Price per units	1	units

178	4325471 Discontinued	-Optic light guide	7,49 USD Price per units	1	units
180	4462020	-Bracket	3,11 USD Price per units	2	units
182	4534300	-Fitment	3,11 USD Price per units	6	units
w/o fig.	4880940 Discontinued	-Edging 850MM	22,79 USD Price per units	1	units
w/o fig.	5340430 Discontinued	-Self-adhesive foil 12MM 33M	83,51 USD Price per units	1	units
190	4367030	Programme knob l.white dia 40mm	18,00 USD Price per units	1	units
190	4367050 Discontinued	Programme knob black dia 40mm	18,00 USD Price per units	1	units
w/o fig.	4535070 Discontinued	Interch.fasc.access l.white	54,95 USD Price per units	1	units
w/o fig.	4535090 Discontinued	Interch.fasc.access black	54,95 USD Price per units	1	units
195	5116370	Programme knob l.white dia 36mm	11,98 USD Price per units	1	units
195	5116360	Programme knob d.brown dia 36mm	11,98 USD Price per units	1	units
195	5116380	Programme knob black dia 36mm	11,98 USD Price per units	1	units

© Miele & Cie. KG 2023 This information should not be duplicated or passed on without Miele approval. All rights reserved.05.12.2023

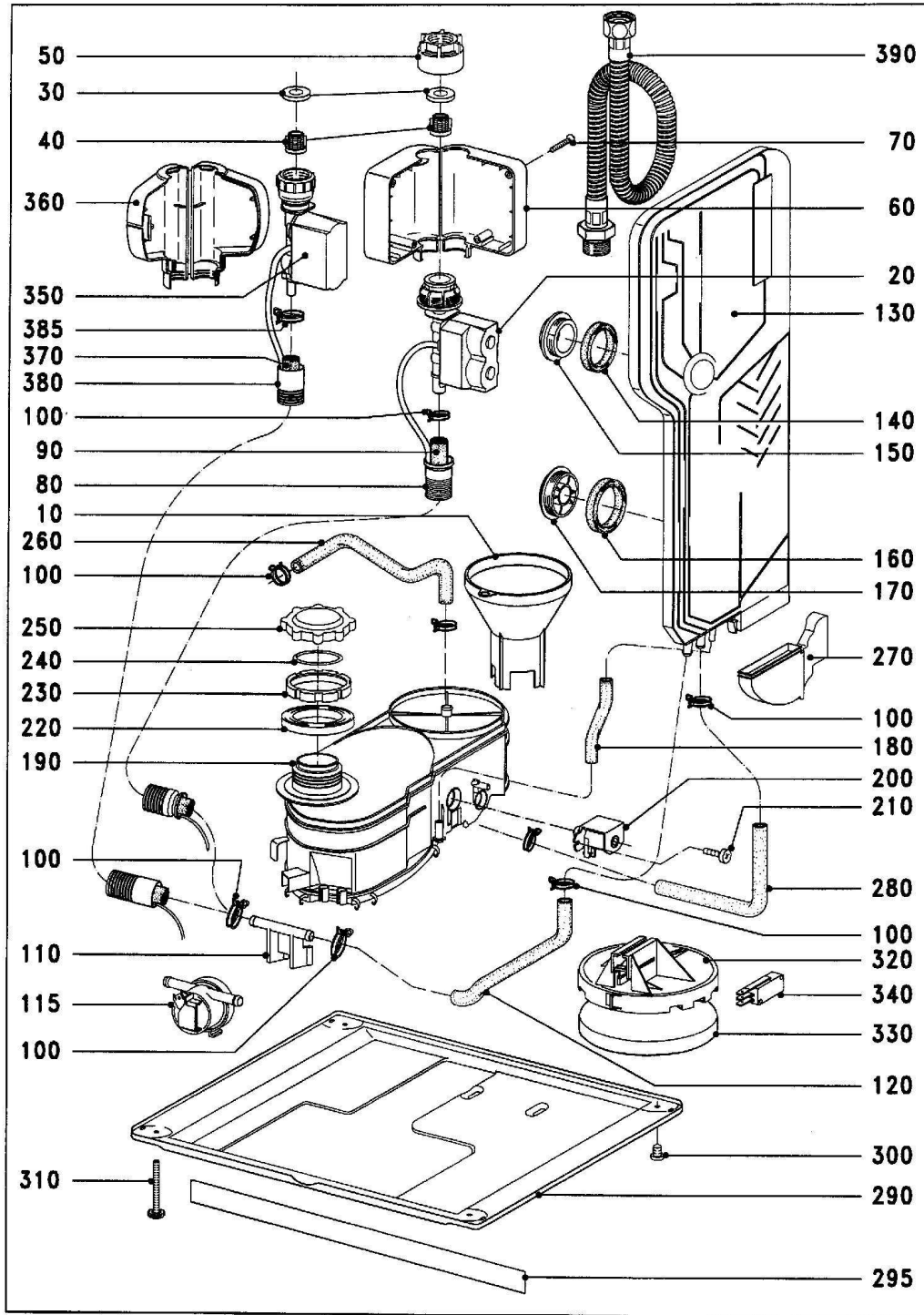
The Miele logo consists of the word "Miele" in a white, bold, sans-serif font, centered within a dark red rectangular background.

Dishwashers  
G 680 SC I

05.12.2023

---

# 100 LEAK PROTECTION DEVICE, WATER-SOFTENER



5144500-060



Dishwashers  
G 680 SC I

# 100 LEAK PROTECTION DEVICE, WATER-SOFTENER

Pos.	M.-No.	Designation	Price incl. VAT	Qty	UoQ
10	2452311	Funnel	13,64 USD Price per units	1	units
20-90	5269011	Waterproof system 120V 50/60HZ 2M	149,56 USD Price per units	1	units
20-90	5268981	Waterproof system 120V 60HZ 4,5M	697,08 USD Price per units	1	units
30	2047511	-Nut 3/4 Z	57,39 USD Price per units	1	units
40	2047280	-Filter Natural	7,49 USD Price per units	1	units
50	72041	-Sealing washer 13X26,5X4	5,07 USD Price per units	1	units
60	3359831 Discontinued	-Casing	30,74 USD Price per units	1	units
70		--Fixing			
	2029750	--Countersunk screw 4X30	2,01 USD Price per units	2	units
80	2247480 Discontinued	-Hose 1760MM	40,34 USD Price per units	1	units
90	3855791	-Water inlet hose 2030MM	70,93 USD Price per units	1	units
100		--Fixing			
	4082870	--Hose clamp 14,8-15,9mm	2,01 USD Price per units	2	units
110	4023590	Connecting plate	4,27 USD Price per units	1	units
100		--Fixing			
115	12115760	Flow meter	70,93 USD Price per units	1	units
	4082870	--Hose clamp 14,8-15,9mm	2,01 USD Price per units	2	units
120	5229140 Discontinued	Connection hose	16,70 USD Price per units	1	units
100		--Fixing			
	4082870	--Hose clamp 14,8-15,9mm	2,01 USD Price per units	2	units

130-170	4157454	Water intake	139,36 USD Price per units	1	units
140	5229500	-Sealing ring	7,95 USD Price per units	1	units
150	4112222	-Screw connector Water intake	6,10 USD Price per units	1	units
160	5229510	-Sealing ring	7,95 USD Price per units	1	units
170	4324740	-Air vent screw	2,71 USD Price per units	1	units
180	5871191	Hose	22,79 USD Price per units	1	units
190-240	4441535	Water softener 120V 60HZ	198,01 USD Price per units	1	units
w/o fig.	5673330	-Float yellow	30,74 USD Price per units	1	units
w/o fig.	4597490	-Cap	7,95 USD Price per units	1	units
200	3641951	-Solenoid valve 120V 60HZ	109,64 USD Price per units	1	units
210		--Fixing			
	69850	--Raised head screw 3,9X9,5	1,73 USD Price per units	1	units
220	5229633	-Seal Salt container	7,95 USD Price per units	1	units
230	4582352	-Lock nut Salt container	2,71 USD Price per units	1	units
240	4495991	-Sealing ring Salt container	11,98 USD Price per units	1	units
w/o fig.	4052940	-Reed contact	47,37 USD Price per units	1	units
250	4719100	-Cap Salt container	13,64 USD Price per units	1	units
w/o fig.	4214871	Damping ring	7,95 USD Price per units	1	units
260	5229110	Hose	18,00 USD Price per units	1	units
100		--Fixing			
	4082870	--Hose clamp 14,8-15,9mm	2,01 USD Price per units	2	units
270	3992201	Air vent	16,70 USD Price per units	1	units
280	5871161	Hose	25,32 USD Price per units	1	units
100		--Fixing			
	4082870	--Hose clamp 14,8-15,9mm	2,01 USD Price per units	2	units
290	4387850	Drip tray	57,39 USD Price per units	1	units
295	4202832	Cover strip	18,00 USD Price per units	1	units
300		--Fixing			



	4949600	--Raised head screw 4,2X9,5	1,73 USD Price per units	4	units
310	3371780	Foot 43 MM	25,32 USD Price per units	4	units
w/o fig.	3362880	Extension	18,00 USD Price per units	4	units
320-340	4060606	Float	36,48 USD Price per units	1	units
320	3842406	-Float housing	25,32 USD Price per units	1	units
330	3986740	-Float	6,10 USD Price per units	1	units
340	4658671	-Switch	16,07 USD Price per units	1	units
w/o fig.	2522530	Plug housing 3 pole	4,27 USD Price per units	1	units
w/o fig.	1071451	Plug 6,3MM 0,5-1,5QMM	1,73 USD Price per units	3	units
40+50+					
40+50+					
40+50+					
350-385	5269011	Waterproof system 120V 50/60HZ 2M	149,56 USD Price per units	1	units
40+50+					
40+50+					
40+50+					
350-385	5268981	Waterproof system 120V 60HZ 4,5M	697,08 USD Price per units	1	units
40	2047280	-Filter Natural	7,49 USD Price per units	1	units
50	72041	-Sealing washer 13X26,5X4	5,07 USD Price per units	1	units
360	5269020	-Casing	36,48 USD Price per units	1	units
370	3855791	-Water inlet hose 2030MM	70,93 USD Price per units	1	units
(370)	3855801	-Water inlet hose 4700MM	90,72 USD Price per units	1	units
380	5064240	-Hose 1811mm	40,34 USD Price per units	1	units
(380)	5064250	-Hose 4326mm	70,93 USD Price per units	1	units
		--Fixing			
100	4082870	--Hose clamp 14,8-15,9mm	2,01 USD Price per units	1	units
385	5476250	--Hose clamp 15,5-16,3mm	65,11 USD Price per units	1	units
		From mach.no 24/.....			
390	5318960	Water inlet hose 1,5M screw- conn3/4Z	215,64 USD Price per units	1	units



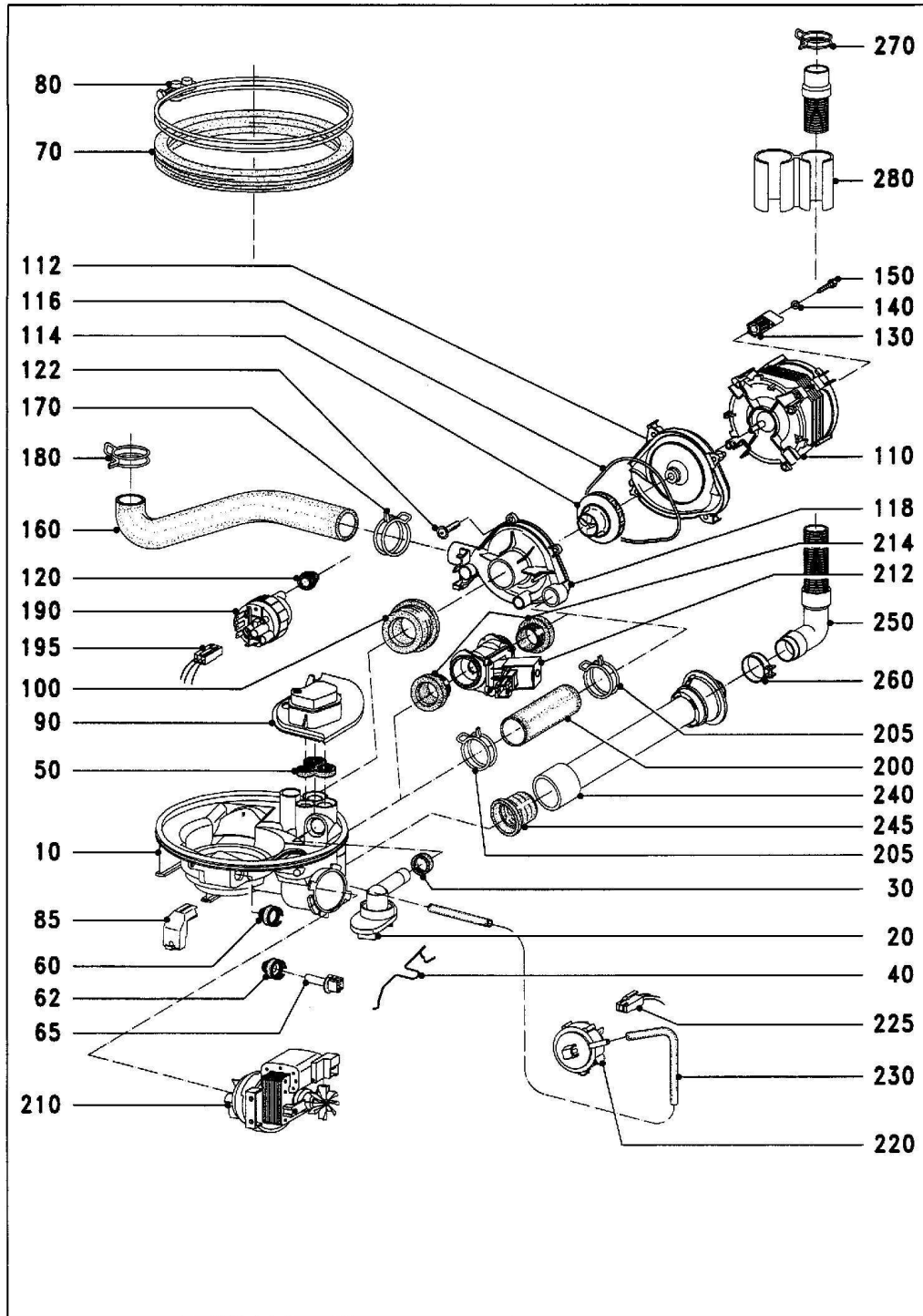
**Miele**

Dishwashers  
G 680 SC I

05.12.2023

---

# **110 PUMPS,SUMP,CONNECTING HOSES,ELECTRICAL PARTS**



4669190-110



Dishwashers  
G 680 SC I

# 110 PUMPS,SUMP,CONNECTING HOSES,ELECTRICAL PARTS

Pos.	M.-No.	Designation	Price incl. VAT	Qty	UoQ
10-80	4055417	Sump	155,25 USD Price per units	1	units
20	5269111	-Non-return valve	47,37 USD Price per units	1	units
30	5229602	-Seal	13,64 USD Price per units	1	units
(40)	4271781	-Clamping bracket	6,14 USD Price per units	1	units
50	5229591	-Seal	13,88 USD Price per units	1	units
60	3827392	-Seal	8,36 USD Price per units	1	units
65	3887585	Temperature sensor	47,37 USD Price per units	1	units
70	5013030	-Sealing ring	40,34 USD Price per units	1	units
80	4734810	-Hose clip DRM247	30,74 USD Price per units	1	units
		From mach.no 17179171			
85	4597360	-Cover	6,10 USD Price per units	1	units
90	3990501	-Cover	36,48 USD Price per units	1	units
100	6814710	Seal DA=56,0/l=37,0 H18,5	6,10 USD Price per units	1	units
110-122	5065472	Circulation pump MPE62-62/2 120V 60HZ	559,13 USD Price per units	1	units
112-116	5011723	-Partition Mpe30/Mpe31 60Hz	77,69 USD Price per units	1	units
116-120	5011910	-Pump casing MPE30	47,37 USD Price per units	1	units
120	4013221	-Seal Level control	6,10 USD Price per units	1	units
122		--Fixing			
	7671320	--Screw M5X30-T25	2,01 USD Price per units	4	units
130	4038432	Motor bracket	8,73 USD Price per units	1	units
		--Fixing			

140	10179	--Disc HOSTALEN 5	1,73 USD Price per units	1	units
150	12954	--Hex.self-tap.screw 5,5X19	2,77 USD Price per units	1	units
160	5229350	Connection hose	25,32 USD Price per units	1	units
		--Fixing			
170	1107290	--Hose clamp 33,2-34,8mm schwarz	2,71 USD Price per units	1	units
180	4109340	--Hose clamp 25,8-27,4mm	3,11 USD Price per units	1	units
190	4441453	Level control 1500/700	90,72 USD Price per units	1	units
195	5943690	Plug housing 3 pole	23,70 USD Price per units	1	units
w/o fig.	1071451	Plug 6,3MM 0,5-1,5QMM	1,73 USD Price per units	2	units
w/o fig.	1125460	Plug 6,3MM 1,0-2,5QMM	3,11 USD Price per units	1	units
210	4229910	Drain pump BE20 B2-068 120V60HZ	90,98 USD Price per units	1	units
212	5268871	Circulation valve 120V 60HZ	155,25 USD Price per units	1	units
214	5013571	Seal Circulation valve	18,00 USD Price per units	1	units
220	7846100	Conv.kt.level cont.	65,11 USD Price per units	1	units
225	2950740	Plug housing 3 pole	6,10 USD Price per units	1	units
w/o fig.	1071451	Plug 6,3MM 0,5-1,5QMM	1,73 USD Price per units	2	units
230	4404990	Hose 365MM	7,49 USD Price per units	1	units
240	5612040	Mounting	18,00 USD Price per units	1	units
245	4198410	Seal	6,10 USD Price per units	1	units
250	9706850	Drain hose 1,5M	35,08 USD Price per units	1	units
250	2244213	Drain hose 2,25M	52,53 USD Price per units	1	units
		--Fixing			
260	2832060	--Hose clip SM9 B29	7,77 USD Price per units	1	units
		--Fixing			
270	1627501	--Hose clip 19-31	3,95 USD Price per units	1	units
280	3281311	Holder	7,95 USD Price per units	1	units

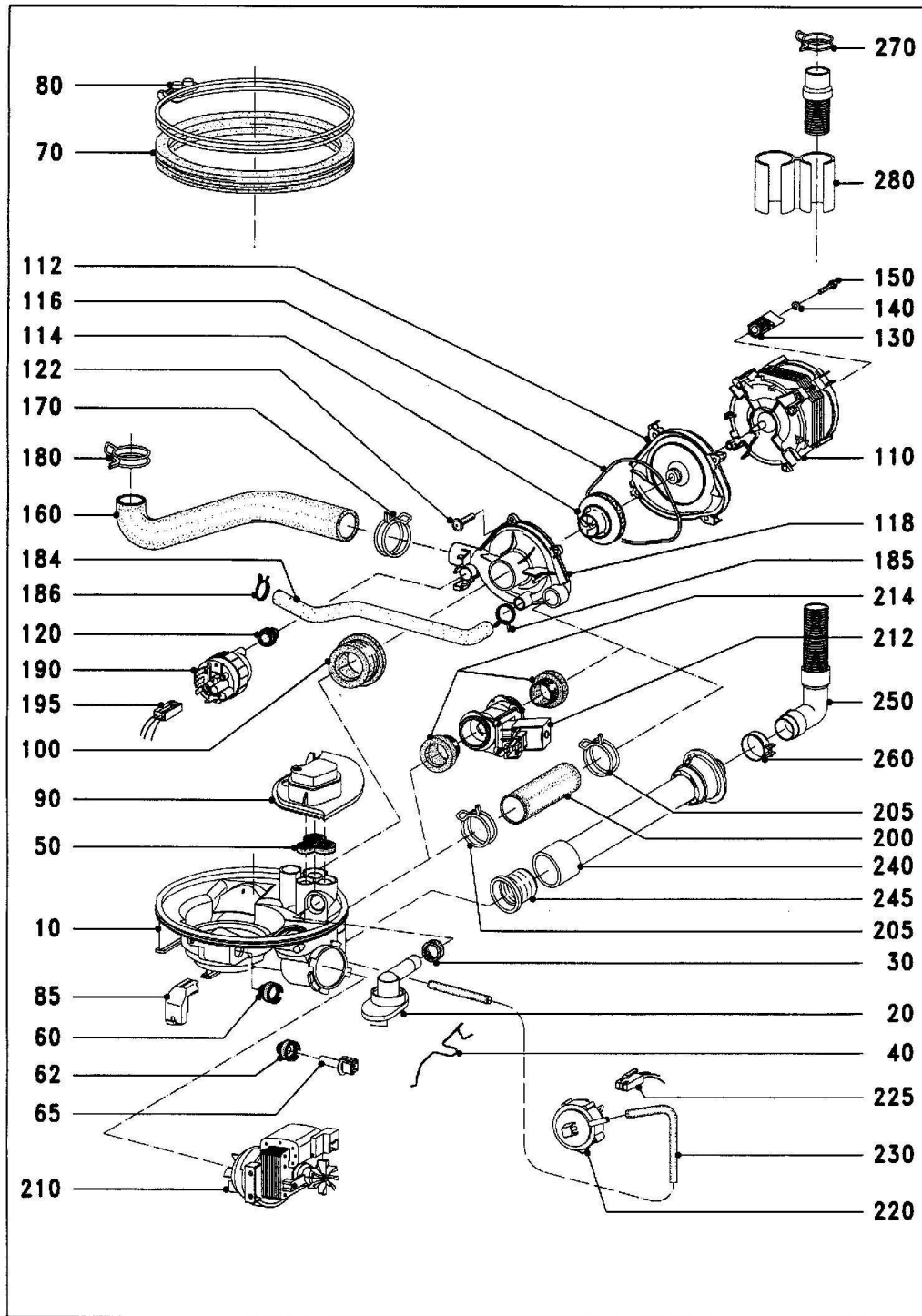
The Miele logo consists of the word "Miele" in a white, bold, sans-serif font, centered within a dark red rectangular background.

Dishwashers  
G 680 SC I

05.12.2023

---

# 112 PUMPS,SUMP,ELECTRICAL PARTS, FROM INDEX 19



5122150-070



Dishwashers  
G 680 SC I

# 112 PUMPS,SUMP,ELECTRICAL PARTS, FROM INDEX 19

Pos.	M.-No.	Designation	Price incl. VAT	Qty	UoQ
		From mach.no 19/.....			
10-80	4055417	Sump	155,25 USD Price per units	1	units
20	5269111	-Non-return valve	47,37 USD Price per units	1	units
30	5229602	-Seal	13,88 USD Price per units	1	units
40	4271781	-Clamping bracket	6,10 USD Price per units	1	units
50	5229591	-Seal	13,64 USD Price per units	1	units
60	3946661	-Seal	9,54 USD Price per units	1	units
62	3827392	-Seal	8,36 USD Price per units	1	units
65	3887585	-Temperature sensor	47,37 USD Price per units	1	units
70	5013030	-Sealing ring	40,34 USD Price per units	1	units
80	4734810	-Hose clip DRM247	30,74 USD Price per units	1	units
85	4597360	Cover	6,14 USD Price per units	1	units
90	3990501	Cover	36,48 USD Price per units	1	units
100	6814710	Seal DA=56,0/I=37,0 H18,5	6,14 USD Price per units	1	units
110-122	5065034	Circulation pump Mpe63-62/2 120V/60HZ	547,86 USD Price per units	1	units
112-116	5011723	-Partition Mpe30/Mpe31 60Hz	77,69 USD Price per units	1	units
116-120	5011740	-Pump casing MPE31	47,37 USD Price per units	1	units
120	4013221	-Seal Level control	6,14 USD Price per units	1	units
122		--Fixing			
	7671320	--Screw M5X30-T25	2,77 USD Price per units	4	units
130	4038432	Motor bracket	7,49 USD Price per units	1	units
		--Fixing			



140	10179	--Disc HOSTALEN 5	1,73 USD Price per units	1	units
150	12954	--Hex.self-tap.screw 5,5X19	2,77 USD Price per units	1	units
160	5229320	Hose	18,00 USD Price per units	1	units
		--Fixing			
170	1107290	--Hose clamp 33,2-34,8mm schwarz	2,71 USD Price per units	1	units
180	4109340	--Hose clamp 25,8-27,4mm	2,71 USD Price per units	1	units
184	5229410	Hose	30,74 USD Price per units	1	units
		--Fixing			
185	4816160	--Hose clamp 22,5-24,0mm gelb	2,77 USD Price per units	1	units
186	4816180	--Hose clamp	2,71 USD Price per units	1	units
190	5419695	Level control 1200/700	97,30 USD Price per units	1	units
195	5943690	Plug housing 3 pole	23,70 USD Price per units	1	units
w/o fig.	1071451	Plug 6,3MM 0,5-1,5QMM	1,84 USD Price per units	2	units
w/o fig.	1125460	Plug 6,3MM 1,0-2,5QMM	2,71 USD Price per units	1	units
200	6069490	Hose	16,70 USD Price per units	1	units
205		--Fixing			
	4063810	--Hose clamp 30,4-32,0mm verz.	1,73 USD Price per units	2	units
210	4229910	Drain pump BE20 B2-068 120V60HZ	90,98 USD Price per units	1	units
212+214	5268871	Circulation valve 120V 60HZ	155,25 USD Price per units	1	units
214	5013571	Seal Circulation valve	18,00 USD Price per units	1	units
220	7846100	Conv.kt.level cont.	65,11 USD Price per units	1	units
225	2950740	Plug housing 3 pole	6,10 USD Price per units	1	units
w/o fig.	1071451	Plug 6,3MM 0,5-1,5QMM	1,84 USD Price per units	1	units
230	4404990	Hose 365MM	7,49 USD Price per units	1	units
240	5612040	Mounting	18,00 USD Price per units	1	units
245	4198410	Seal	6,14 USD Price per units	1	units
250	9706850	Drain hose 1,5M	35,08 USD Price per units	1	units
250	2244213	Drain hose 2,25M	52,53 USD Price per units	1	units

		--Fixing			
260	2832060	--Hose clip SM9 B29	7,77 USD Price per units	1	units
270	1627501	--Hose clip 19-31	3,54 USD Price per units	1	units

© Miele & Cie. KG 2023 This information should not be duplicated or passed on without Miele approval. All rights reserved.05.12.2023

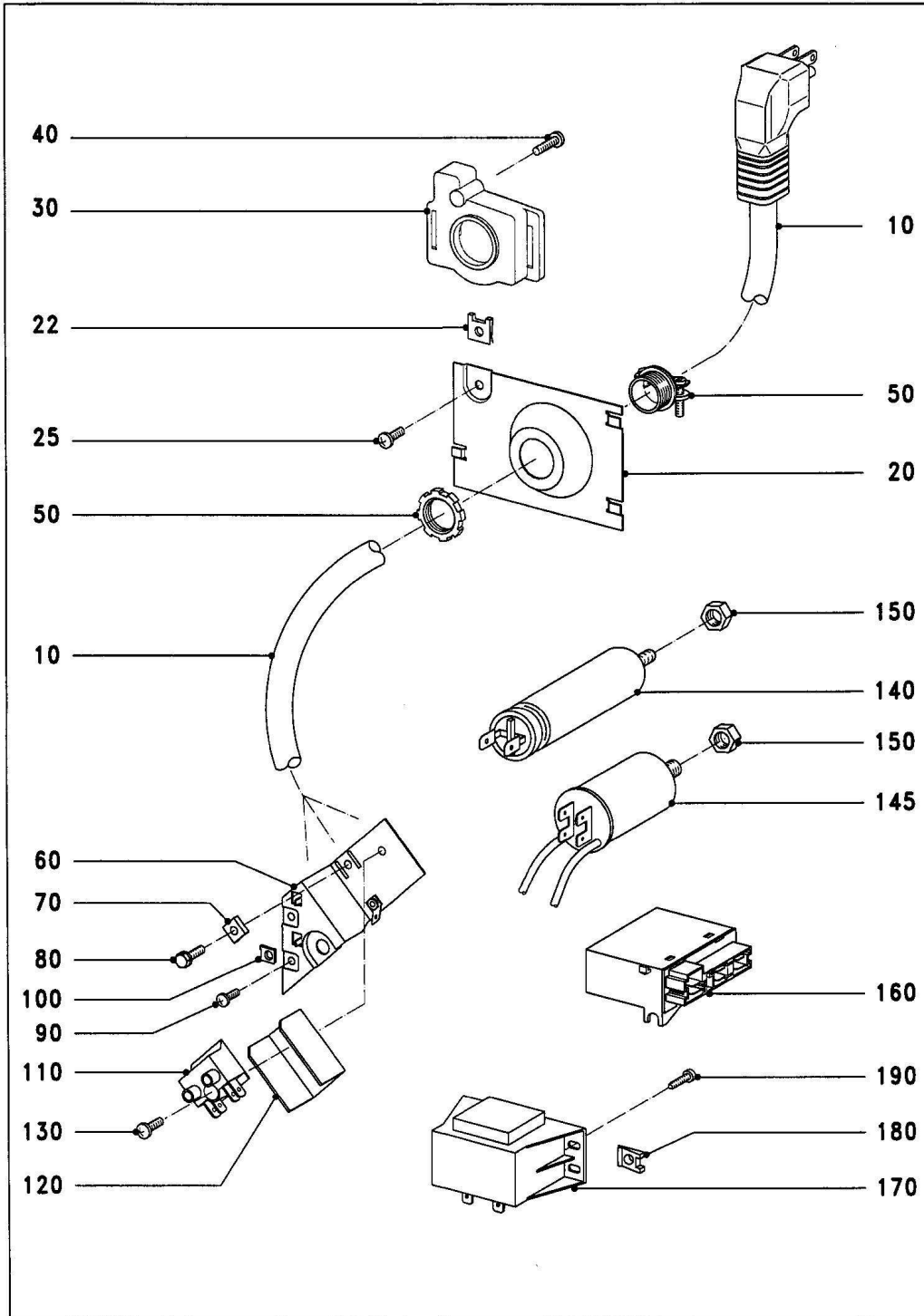
The Miele logo consists of the word "Miele" in a white, bold, serif font, centered within a dark red rectangular background.

Dishwashers  
G 680 SC I

05.12.2023

---

# 120 ELECTRICAL CONNECTION,CABLE



5333770-090



Dishwashers  
G 680 SC I

## 120 ELECTRICAL CONNECTION,CABLE

Pos.	M.-No.	Designation	Price incl. VAT	Qty	UoQ
10	3857822	Supply cable USA/CDN	90,72 USD Price per units	1	units
20	3925330 Discontinued	Coverplate	54,95 USD Price per units	1	units
		--Fixing			
22	12145	--Nut 3,9	1,84 USD Price per units	1	units
25	69850	--Raised head screw 3,9X9,5	1,73 USD Price per units	1	units
30		Holder			
		--Fixing			
40		--Raised head screw			
50	2496451	Cable clamp	7,95 USD Price per units	1	units
60	4535512	Fixing bracket	83,51 USD Price per units	1	units
		--Fixing			
70	24806	--Clamping bracket 5mm	2,01 USD Price per units	1	units
80	3919881	--Hexag.headed screw DM4X10	1,73 USD Price per units	1	units
90	1084000	--Nut B 4,2 12717	1,84 USD Price per units	2	units
100	91787	--Raised head screw 3,9X9,5	1,84 USD Price per units	2	units
110	4325653	Connector block	25,85 USD Price per units	1	units
120	4322890	-Cover	11,98 USD Price per units	1	units
130		--Fixing			
	1023040	--Raised head screw 3,9X9,5	2,01 USD Price per units	1	units
140	4597700	Capacitor 14UF 400V	66,82 USD Price per units	1	units
140	5013830	Interf.sup.capacit. 0,47UF 2X7500PF	65,11 USD Price per units	1	units
150		--Fixing			
	7638120	--Hexagonal nut M8	1,84 USD Price per units	1	units

160	4230490	Relay 0419 2S 6V DC	83,51 USD Price per units	1	units
170	4199660 Discontinued	Transformer 120V/60HZ	119,11 USD Price per units	1	units
		WITH INDIVIDUAL PLUG CONNECTION			
170	4416310 Discontinued	Transformer BVEI 481 0204	119,11 USD Price per units	1	units
		WITH MULTIPLUG CONNECTION			
180		--Fixing			
	1084000	--Nut B 4,2 12717	1,84 USD Price per units	2	units
190		--Fixing			
	69850	--Raised head screw 3,9X9,5	1,73 USD Price per units	2	units
		Up to mach.no 17535386			
w/o fig.	4461221	Harness	542,33 USD Price per units	1	units
		From mach.no 17535387			
w/o fig.	4736050 Discontinued	Harness	542,33 USD Price per units	1	units
		From mach.no 19/.....			
w/o fig.	4736050 Discontinued	Harness	542,33 USD Price per units	1	units
		FUER SCHALTERBLENDE			
w/o fig.	4376680 Discontinued	Protection sleeve	4,27 USD Price per units	2	units

© Miele & Cie. KG 2023 This information should not be duplicated or passed on without Miele approval. All rights reserved.05.12.2023

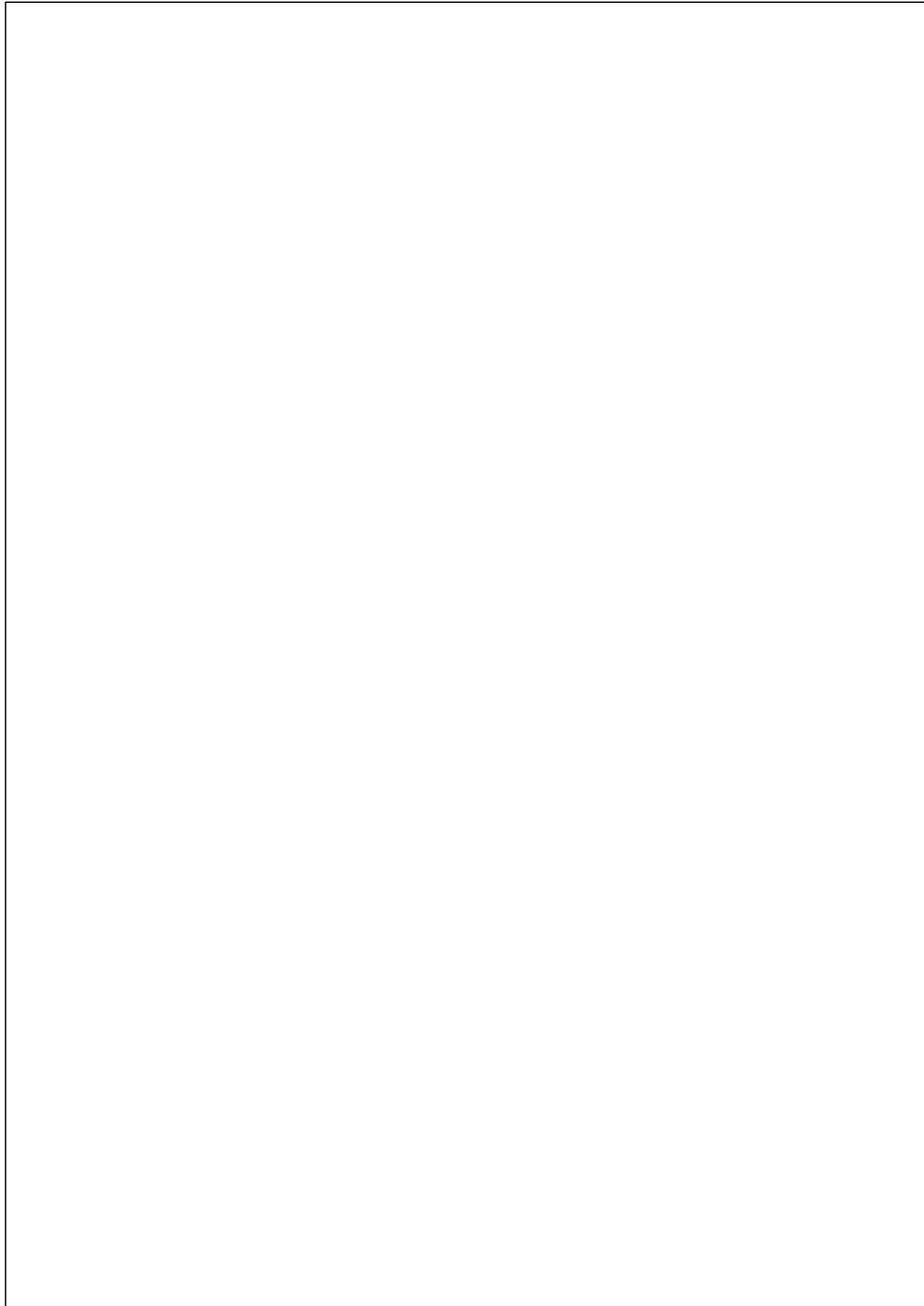
The Miele logo consists of the word "Miele" in a white, bold, serif font, centered within a dark red rectangular background.

Dishwashers  
G 680 SC I

05.12.2023

---

# 122 Documents





Dishwashers  
G 680 SC I

## 122 Documents

Pos.	M.-No.	Designation	Price incl. VAT	Qty	UoQ
w/o fig.	4390901 Discontinued	Operat.instruct. USA/GB	1,00 USD Price per units	1	units
		From mach.no 17651892			
w/o fig.	4760231 Discontinued	Operat.instruct. USA/GB	1,00 USD Price per units	1	units
		From mach.no 19/			
w/o fig.	4873701 Discontinued	Operat.instruct. USA/GB	1,00 USD Price per units	1	units
		From mach.no 19/			
		From mach.no 45316458			

© Miele & Cie. KG 2023 This information should not be duplicated or passed on without Miele approval. All rights reserved.05.12.2023